

# ACCUD

## ACCURATE MEASUREMENT

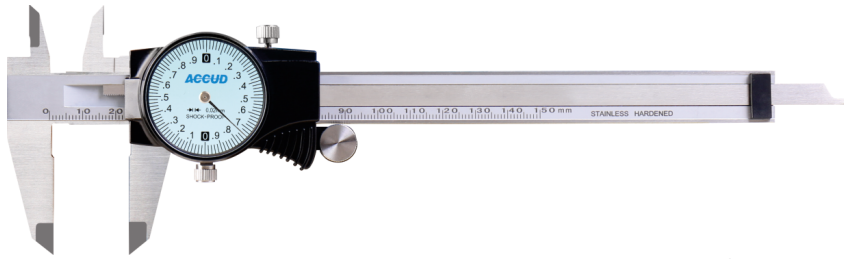


See full product range at: [accud.nz](http://accud.nz)



# Metric Dial Caliper

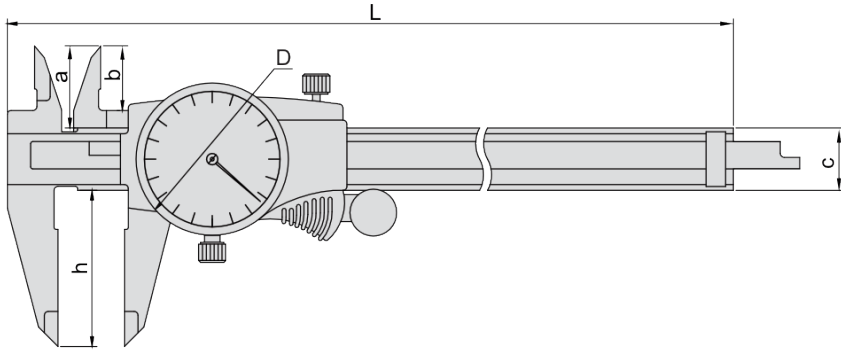
Series 103



© Copyright M Gamer Pty. Ltd. 2023

## Features

Shockproof dial indicator  
Made of stainless steel



© Copyright M Gamer Pty. Ltd. 2023

## Specifications

Part No	Range	Accuracy	a	b	c	h	L	Diameter	Graduation
AC-103-006-11	0-150mm	±0.03mm	21	16.5	16	40	233	Ø39	0.01mm
AC-103-006-21	0-150mm	±0.03mm	21	16.5	16	40	233	Ø39	0.02mm
AC-103-008-11	0-200mm	±0.03mm	24	19	16	50	288	Ø39	0.01mm
AC-103-008-21	0-200mm	±0.03mm	24	19	16	50	288	Ø39	0.02mm
AC-103-012-11	0-300mm	±0.04mm	30	25	20	64	390	Ø44	0.01mm
AC-103-012-21	0-300mm	±0.04mm	30	25	20	64	390	Ø44	0.02mm