

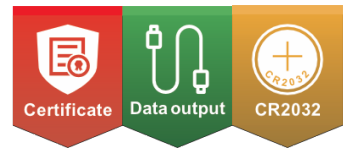
ACCUD

ACCURATE MEASUREMENT

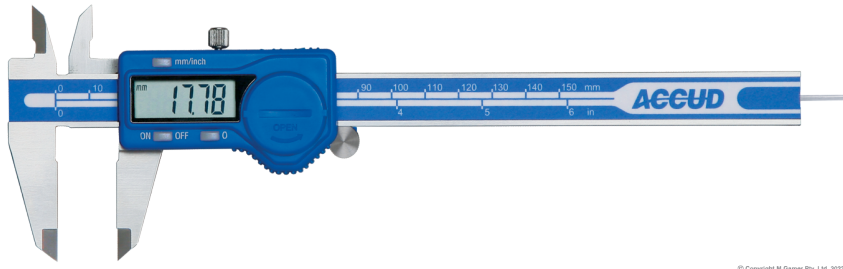


See full product range at: accud.nz

Digital Caliper with Round Depth Bar



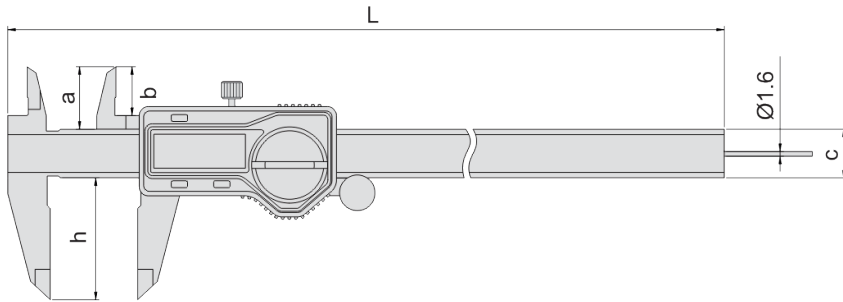
Series 111



© Copyright M Gamer Pty. Ltd. 2023

Features

- With round depth bar, for small hole depth measurement
- Resolution: 0.01mm/0.0005"
- Buttons: on/off, zero, mm/inch
- Data output (cable code: 100-11 or 100-12)
- Automatic power on/off
- Meet DIN862
- Made of stainless steel



© Copyright M Gamer Pty. Ltd. 2023

Specifications

Part No	Range	Accuracy	Thumb Roller	a	b	c	h	L
AC-111-006-12R	0-150mm/0-6"	±0.03mm	With	21	16	16	40	236
AC-111-006-12RW	0-150mm/0-6"	±0.03mm	Without	21	16	16	40	236