

# ACCUD

## ACCURATE MEASUREMENT

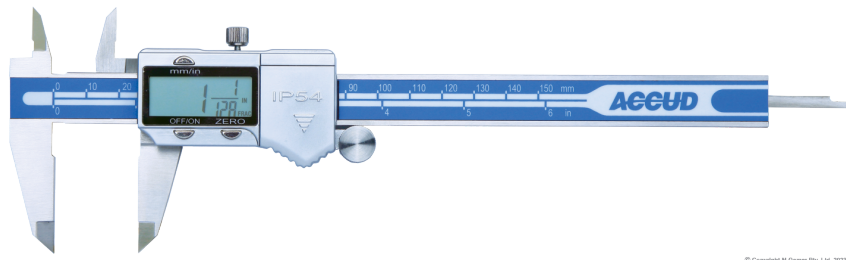


See full product range at: [accud.nz](http://accud.nz)

# Fractional Digital Caliper



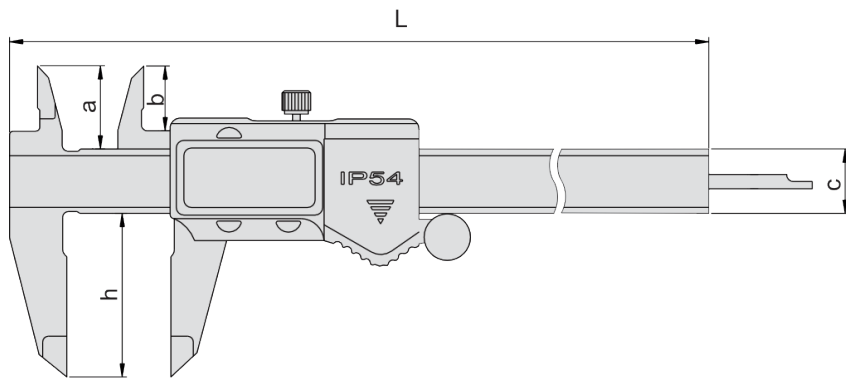
Series 113



© Copyright M Gamer Pty. Ltd. 2023

## Features

With fraction reading  
Resolution: 0.01mm, 0.0005", 1/128"  
Buttons: on/off, zero, mm/inch  
Made of stainless steel



© Copyright M Gamer Pty. Ltd. 2023

## Specifications

Part No	Range	Accuracy	a	b	c	h	L
AC-113-006-11	0-150mm/0-6"	±0.03mm	21	16	16	40	236
AC-113-008-11	0-200mm/0-8"	±0.03mm	24	19	16	50	286
AC-113-012-11	0-300mm/0-12"	±0.03mm	25	20.5	16	60	400