

ACCUD

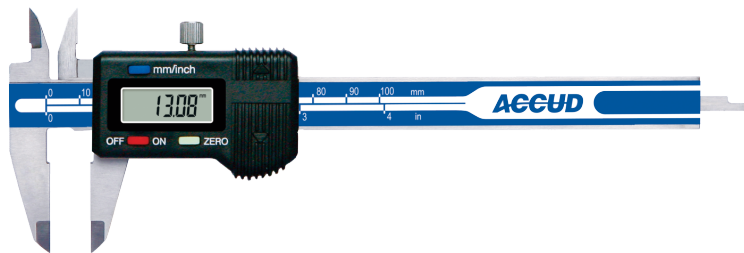
ACCURATE MEASUREMENT



See full product range at: accud.nz

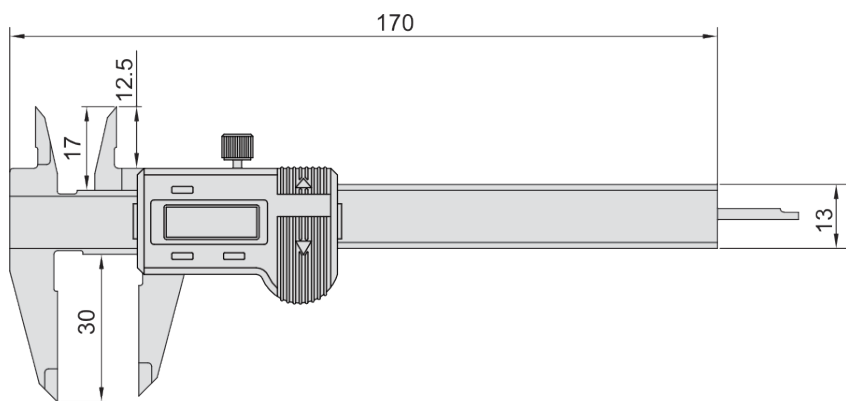
Mini Digital Caliper

Series 114



Features

- Resolution: 0.01mm/0.0005"
- Buttons: on/off, zero, mm/inch
- Meet DIN862
- Made of stainless steel



Specifications

Part No	Range	Accuracy	a	b	c	h	L
AC-114-004-11	0-100mm/0-4"	±0.02mm	17	12.5	13	30	170