

ACCUD

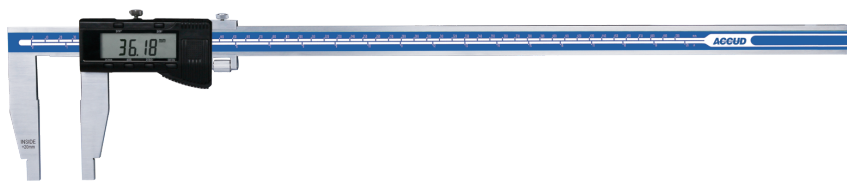
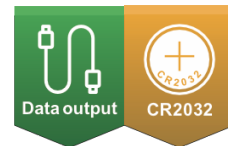
ACCURATE MEASUREMENT



See full product range at: accud.nz

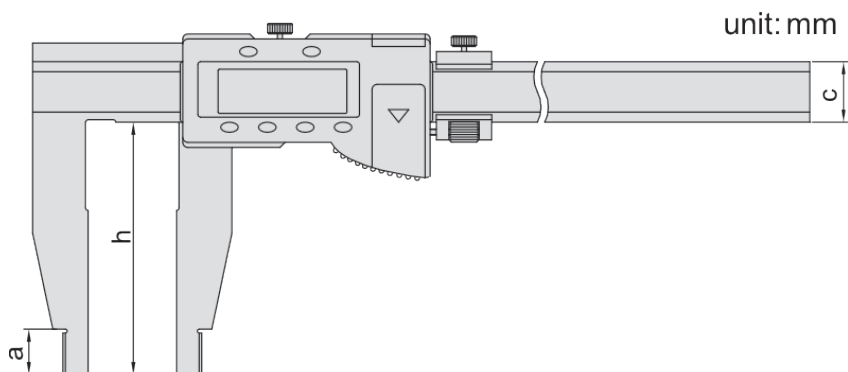
Digital Caliper

Series 118



Features

Resolution: 0.01mm/0.0005"
Buttons: on/off, zero, mm/inch, ABS, data preset
Data output (cable code:100-15)
Made of stainless steel



Specifications

Part No	Range	Accuracy	a	c	h
AC-118-012-11	0-300mm/0-12"	±0.04mm	18	24	100
AC-118-012-12	0-300mm/0-12"	±0.05mm	18	24	150
AC-118-012-13	0-300mm/0-12"	±0.05mm	18	24	200
AC-118-020-11	0-500mm/0-20"	±0.05mm	18	24	100
AC-118-020-12	0-500mm/0-20"	±0.06mm	18	24	150
AC-118-020-13	0-500mm/0-20"	±0.06mm	18	32	200
AC-118-020-14	0-500mm/0-20"	±0.08mm	18	42	300
AC-118-024-11	0-600mm/0-24"	±0.05mm	18	24	100
AC-118-024-12	0-600mm/0-24"	±0.06mm	18	24	150
AC-118-024-13	0-600mm/0-24"	±0.06mm	18	32	200
AC-118-024-15	0-600mm/0-24"	±0.08mm	18	42	300
AC-118-040-11	0-1000mm/0-40"	±0.08mm	24	32	150
AC-118-040-12	0-1000mm/0-40"	±0.08mm	24	32	200
AC-118-040-13	0-1000mm/0-40"	±0.10mm	24	42	300
AC-118-060-11	0-1500mm/0-60"	±0.11mm	24	42	150
AC-118-080-11	0-2000mm/0-80"	±0.14mm	24	42	150