

ACCUD

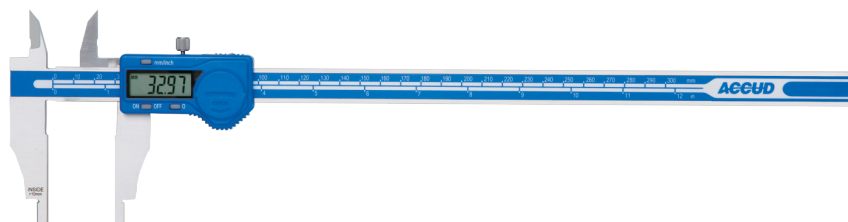
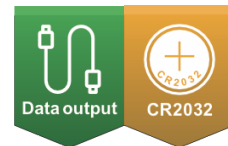
ACCURATE MEASUREMENT



See full product range at: accud.nz

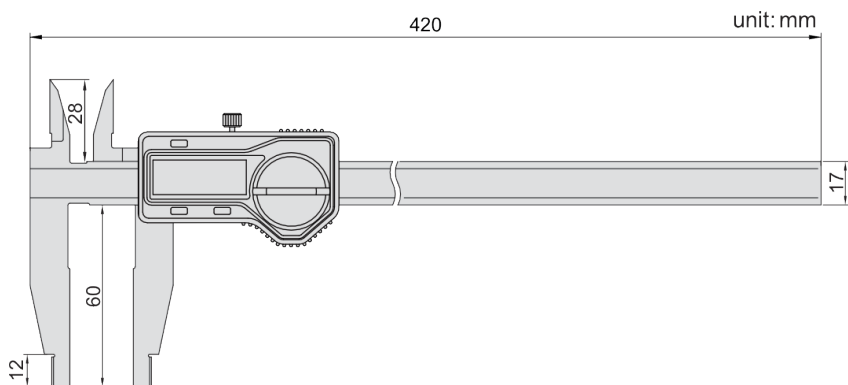
Digital Caliper

Series 119



Features

- Resolution: 0.01mm/0.0005"
- Buttons: on/off, zero, mm/inch
- Automatic power on/off
- Data output (cable code: 100-11 or 100-12)
- Made of stainless steel



Specifications

Part No	Range	Accuracy	b	c	h	L
AC-119-012-11	0-300mm/0-12"	±0.04mm	12	17	60	420