

ACCUD

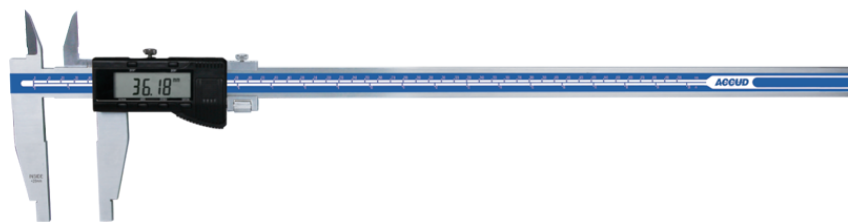
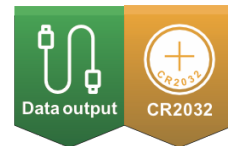
ACCURATE MEASUREMENT



See full product range at: accud.nz

Digital Caliper

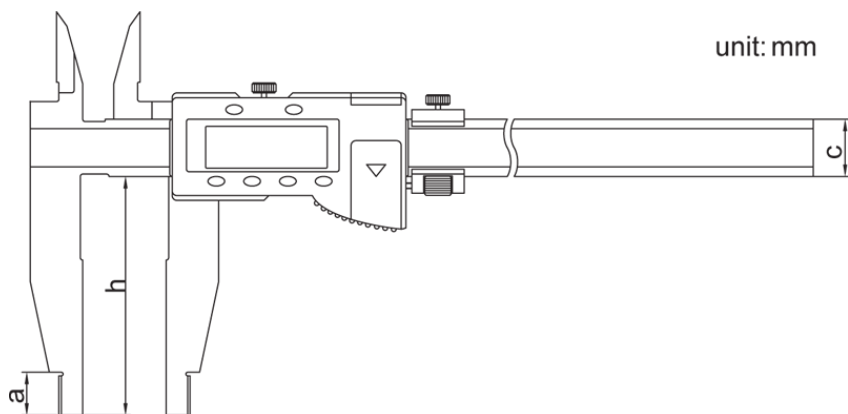
Series 119



© Copyright M Gamer Pty. Ltd. 2023

Features

Resolution: 0.01mm/0.0005"
Buttons: on/off, zero, mm/inch, ABS, data preset
Data output(cable code:100-15)
Made of stainless steel



© Copyright M Gamer Pty. Ltd. 2023

Specifications

Part No	Range	Accuracy	a	b	c	h
AC-119-012-12	0-300mm/0-12"	±0.05mm	18	45	24	100
AC-119-020-11	0-500mm/0-20"	±0.05mm	18	45	24	100
AC-119-020-12	0-500mm/0-20"	±0.06mm	18	45	24	150
AC-119-020-13	0-500mm/0-20"	±0.06mm	24	45	32	200
AC-119-024-11	0-600mm/0-24"	±0.05mm	18	45	24	100
AC-119-024-12	0-600mm/0-24"	±0.06mm	18	45	24	150
AC-119-024-14	0-600mm/0-24"	±0.06mm	24	45	32	200
AC-119-040-11	0-1000mm/0-40"	±0.08mm	24	60	32	150
AC-119-040-12	0-1000mm/0-40"	±0.08mm	24	60	32	200
AC-119-060-11	0-1500mm/0-60"	±0.11mm	24	60	42	150
AC-119-060-12	0-1500mm/0-60"	±0.12mm	24	60	42	200