

# ACCUD

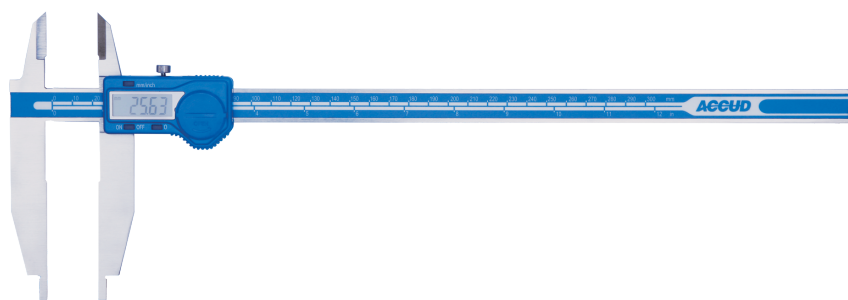
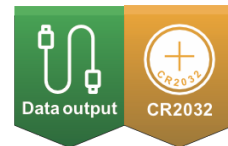
## ACCURATE MEASUREMENT



See full product range at: [accud.nz](http://accud.nz)

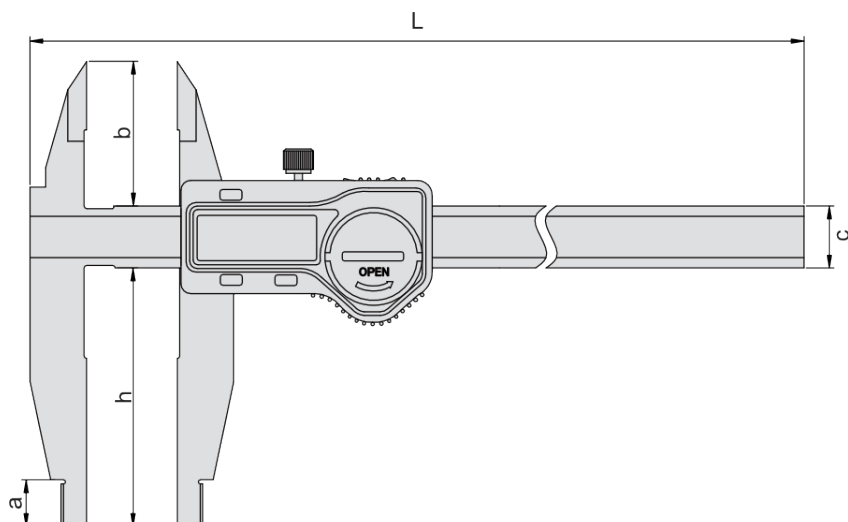
# Digital Caliper

Series 130



## Features

- Resolution: 0.01mm/0.0005"
- Buttons: on/off, zero, mm/inch
- Automatic power on/off
- Data output (cable code: 100-11 or 100-12)
- Made of stainless steel



## Specifications

Part No	Range	Accuracy	a	b	c	h	L
AC-130-008-11	0-200mm/0-8"	±0.03mm	12	38	17	60	320
AC-130-012-11	0-300mm/0-12"	±0.04mm	12	38	17	60	420
AC-130-012-12	0-300mm/0-12"	±0.04mm	12	38	17	90	420