

# ACCUD

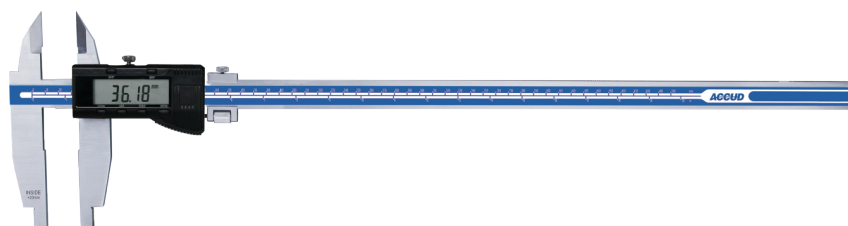
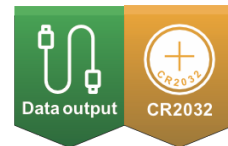
## ACCURATE MEASUREMENT



See full product range at: [accud.nz](http://accud.nz)

# Digital Caliper

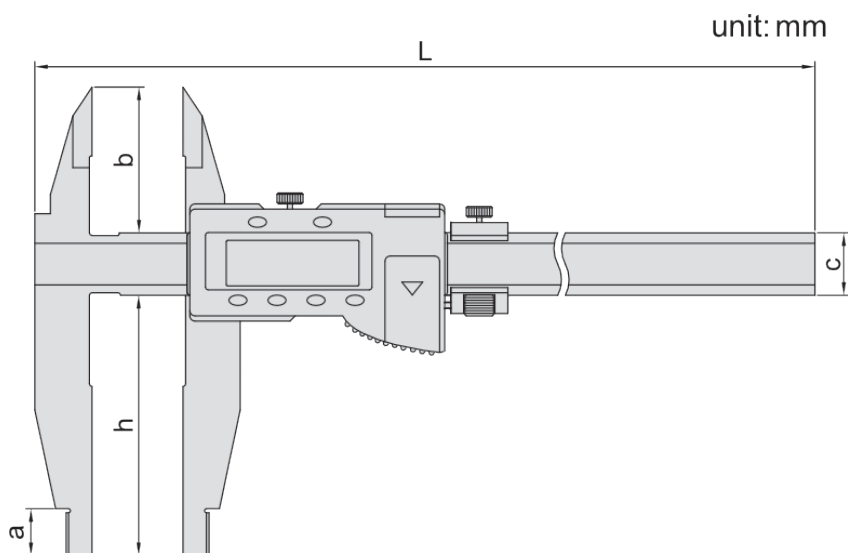
Series 131



© Copyright M Gamer Pty. Ltd. 2023

## Features

Resolution: 0.01mm/0.0005"  
Buttons: on/off, zero, mm/inch, ABS, data preset  
Data output(cable code:100-15)  
Made of stainless steel



© Copyright M Gamer Pty. Ltd. 2023

## Specifications

Part No	Range	Accuracy	a	b	c	h	L
AC-131-012-11	0-300mm/0-12"	±0.05mm	18	56	24	100	420
AC-131-020-11	0-500mm/0-20"	±0.05mm	18	56	24	100	675
AC-131-020-12	0-500mm/0-20"	±0.06mm	18	56	24	150	675
AC-131-024-11	0-600mm/0-24"	±0.05mm	18	56	24	100	770
AC-131-028-11	0-800mm/0-32"	±0.07mm	24	67	31	150	1025
AC-131-040-11	0-1000mm/0-40"	±0.08mm	24	67	31	150	1220