

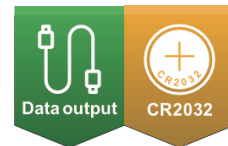
ACCUD

ACCURATE MEASUREMENT

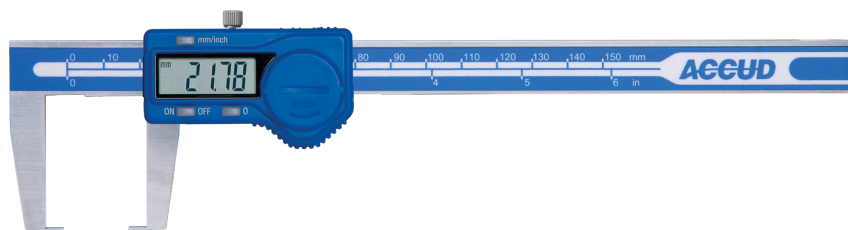


See full product range at: accud.nz

Digital Outside Neck Caliper

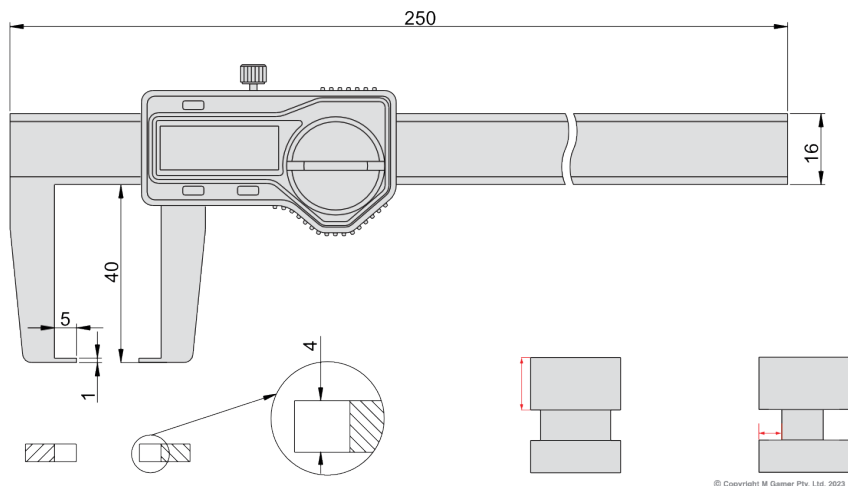


Series 133



Features

- Measure wall thickness and recesses
- Resolution: 0.01mm/0.0005"
- Automatic power on/off
- Buttons: on/off, zero, mm/inch
- Data output (cable code: 100-11 or 100-12)
- Made of stainless steel



Specifications

Part No	Range	Accuracy	a	c	h	L	e
AC-133-006-11	0-150mm/0-6"	±0.04mm	5	16	40	250	1