

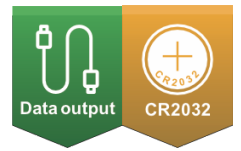
ACCUD

ACCURATE MEASUREMENT

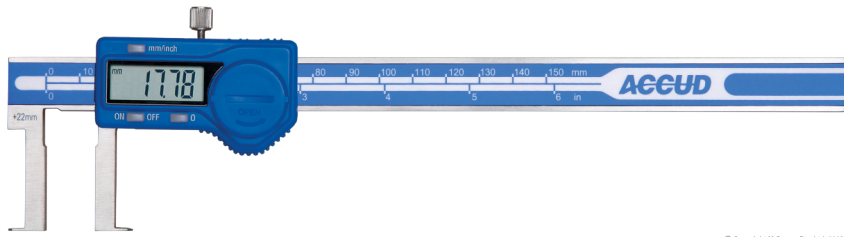


See full product range at: accud.nz

Digital Inside Neck Caliper



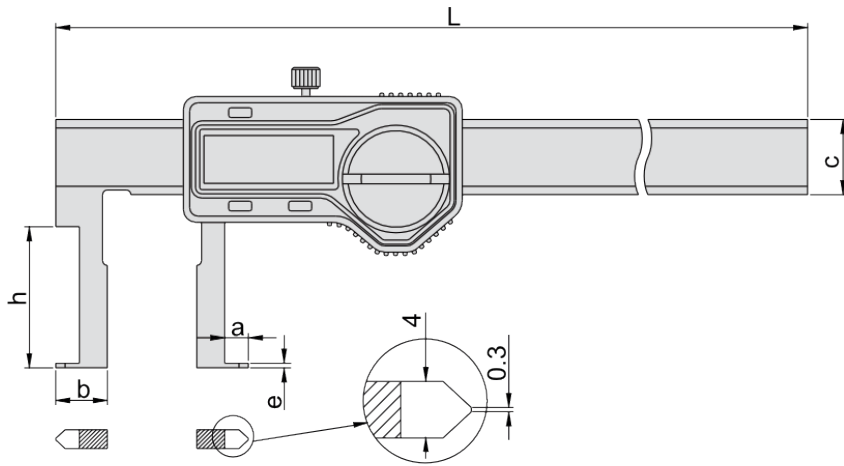
Series 135



© Copyright M Gamer Pty. Ltd. 2023

Features

- Measure the grooves
- Resolution: 0.01mm/0.0005"
- Automatic power on/off
- Buttons: on/off, zero, mm/inch
- Data output
- Made of stainless steel



© Copyright M Gamer Pty. Ltd. 2023

Specifications

Part No	Range	Accuracy	a	b	c	h	L	e
AC-135-006-11	22-150mm	±0.04mm	5	11	16	30	250	1
AC-135-006-12	35-150mm	±0.06mm	6	17.5	16	60	250	1.5
AC-135-008-11	25-200mm	±0.04mm	5	12.5	16	40	310	1
AC-135-008-12	40-200mm	±0.06mm	7	20	16	70	310	2.5
AC-135-012-11	30-300mm	±0.05mm	5	15	17	50	410	1.5
AC-135-012-12	50-300mm	±0.07mm	8	25	16	80	410	2.5
AC-135-020-12	80-500mm	±0.08mm	16	40	24	150	680	5.2