

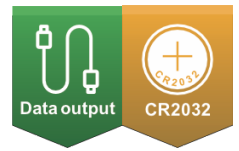
ACCUD

ACCURATE MEASUREMENT

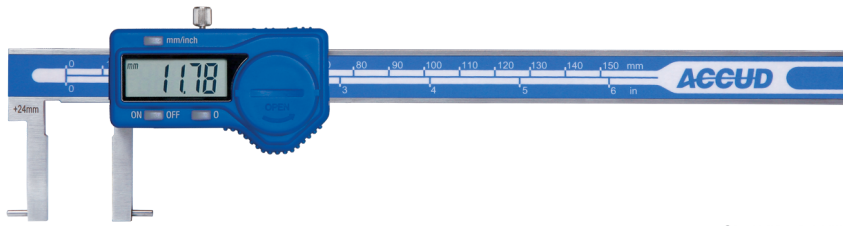


See full product range at: accud.nz

Digital Inside Point Caliper

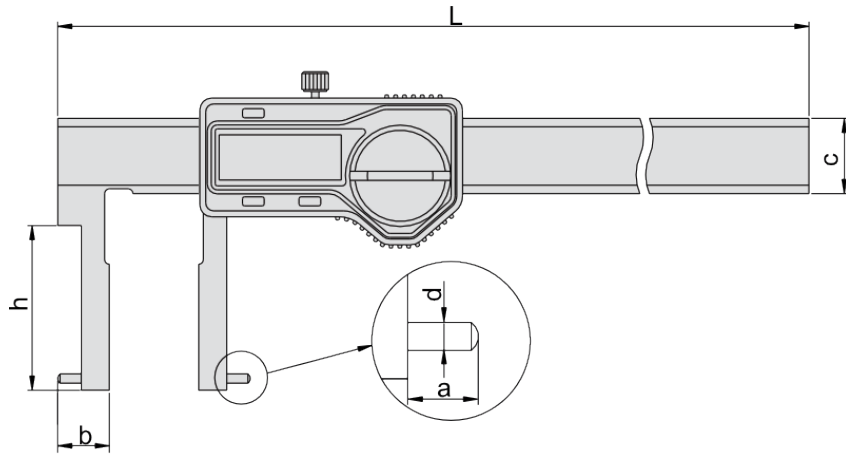


Series 136



Features

- Measure the grooves
- Resolution: 0.01mm/0.0005"
- Automatic power on/off
- Buttons: on/off, zero, mm/inch
- Data output
- Made of stainless steel



Specifications

Part No	Range	Accuracy	a	b	c	h	L	Diameter
AC-136-006-11	24-150mm	±0.04mm	5	12	16	30	250	Ø2
AC-136-006-12	35-150mm	±0.05mm	6	17.5	16	60	250	Ø2
AC-136-008-11	25-200mm	±0.04mm	5	12.5	16	40	310	Ø2
AC-136-008-12	40-200mm	±0.05mm	7	20	16	70	310	Ø3
AC-136-012-11	50-300mm	±0.06mm	8	25	17	80	410	Ø3
AC-136-012-12	30-300mm	±0.07mm	5	15	16	50	410	Ø2
AC-136-020-12	80-500mm	±0.08mm	16	40	16	150	680	Ø3