

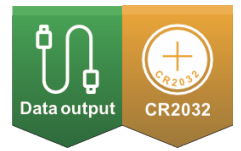
# ACCUD

## ACCURATE MEASUREMENT

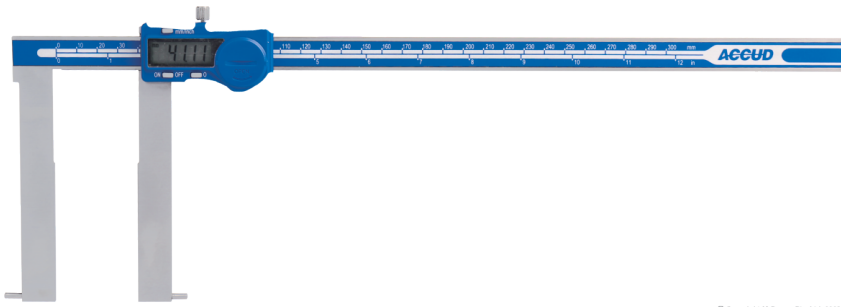


See full product range at: [accud.nz](http://accud.nz)

# Digital Inside Point Caliper



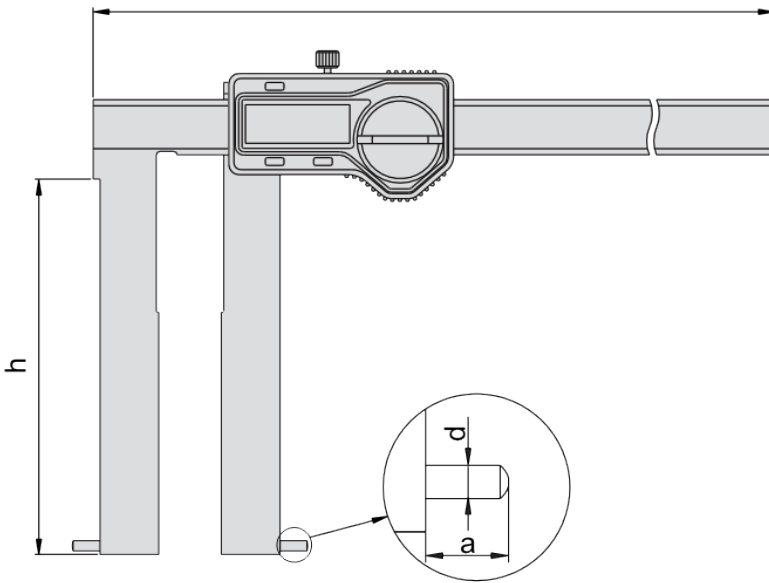
Series 136



## Features

- Measure the grooves
- Resolution: 0.01mm/0.0005"
- Automatic power on/off
- Buttons: on/off, zero, mm/inch
- Data output (cable code: 100-11 or 100-12)
- Made of stainless steel

© Copyright M Gamer Pty. Ltd. 2023



© Copyright M Gamer Pty. Ltd. 2023

## Specifications

Part No	Range	Accuracy	a	h	L	d
AC-136-012-12S	50-300mm	±0.06mm	8	90	410	3
AC-136-012-13S	50-300mm	±0.06mm	8	110	410	3