

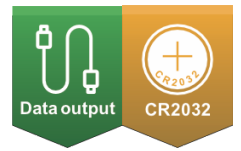
ACCUD

ACCURATE MEASUREMENT

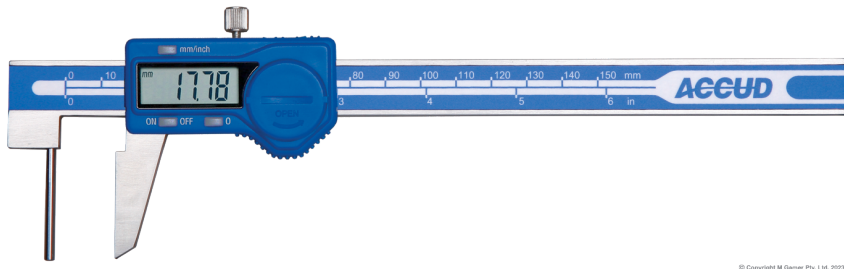


See full product range at: accud.nz

Digital Tube Thickness Caliper

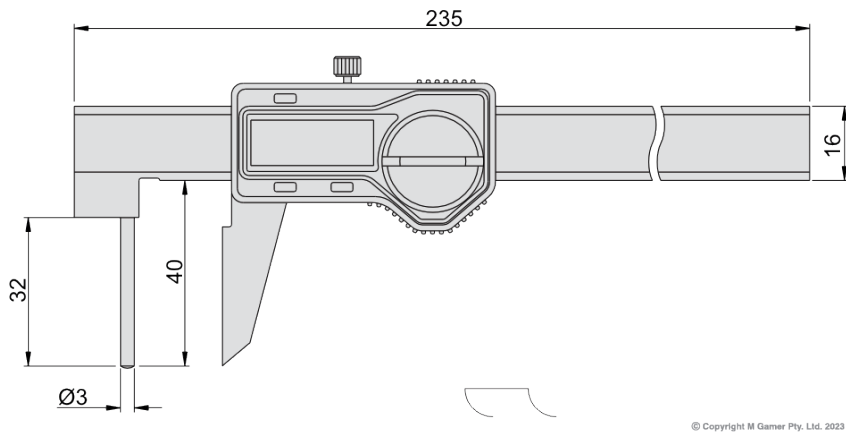


Series 137



Features

Measure the wall thickness
Resolution: 0.01mm/0.0005"
Automatic power on/off
Buttons: on/off, zero, mm/inch
Data output (cable code: 100-11 or 100-12)
Made of stainless steel



Specifications

Part No	Range	Accuracy	a	c	h	L	Diameter
AC-137-006-11	0-150mm/0-6"	±0.05mm	32	16	40	235	Ø3