

# ACCUD

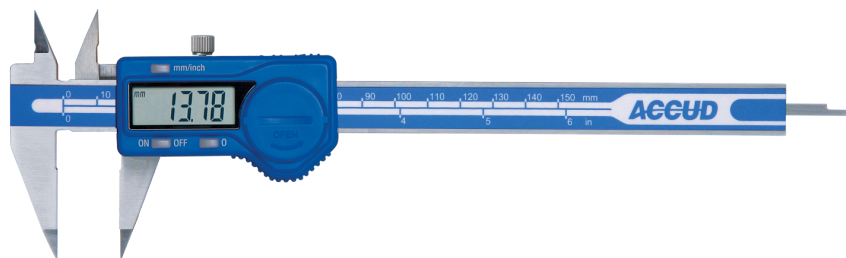
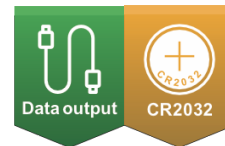
## ACCURATE MEASUREMENT



See full product range at: [accud.nz](http://accud.nz)

# Digital Point Caliper

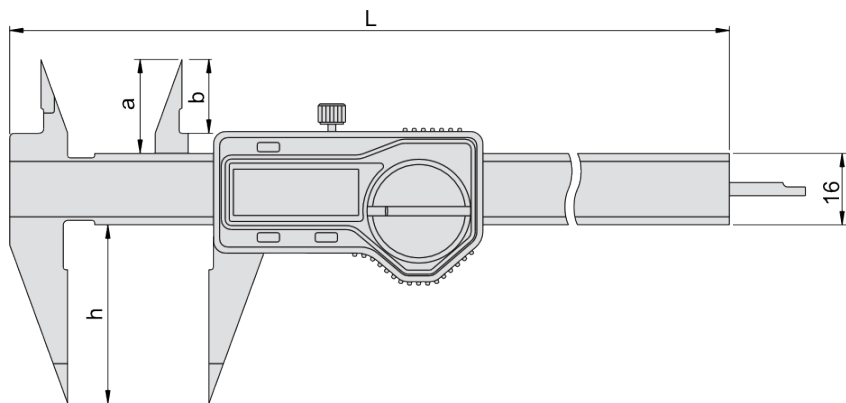
Series 138



© Copyright M Gamer Pty. Ltd. 2023

## Features

- Measure small holes or grooves
- Resolution: 0.01mm/0.0005"
- Automatic power on/off
- Buttons: on/off, zero, mm/inch
- Data output(cable code:100-11 or 100-12)
- Made of stainless steel



© Copyright M Gamer Pty. Ltd. 2023

## Specifications

Part No	Range	Accuracy	a	b	h	L
AC-138-006-11	0-150mm/0-6"	±0.03mm	21	16	40	236
AC-138-008-11	0-200mm/0-8"	±0.03mm	24	19	50	286