

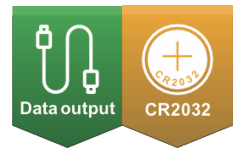
ACCUD

ACCURATE MEASUREMENT



See full product range at: accud.nz

Digital Inside Knife-Edge Caliper



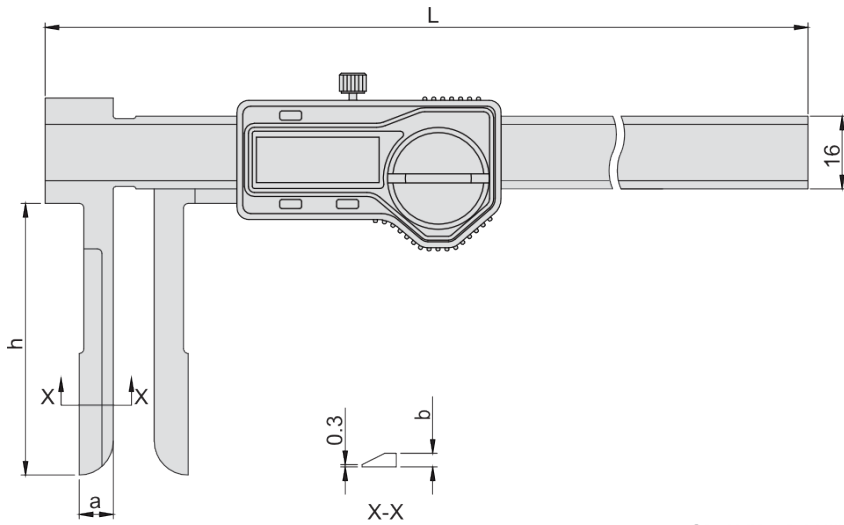
Series 139



© Copyright M Gamer Pty. Ltd. 2023

Features

- Measure the diameter of deep holes or grooves
- Resolution: 0.01mm/0.0005"
- Automatic power on/off
- Buttons: on/off, zero, mm/inch
- Data output (cable code: 100-11 or 100-12)
- Made of stainless steel



© Copyright M Gamer Pty. Ltd. 2023

Specifications

Part No	Range	Accuracy	a	b	h	L
AC-139-006-11	15-150mm	±0.05mm	12	3	60	250
AC-139-008-11	20-200mm	±0.05mm	15	4	90	310