

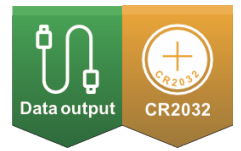
ACCUD

ACCURATE MEASUREMENT

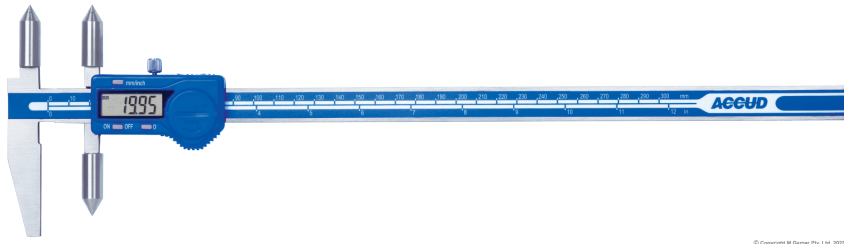


See full product range at: accud.nz

Digital Centerline/Edge to Center Caliper

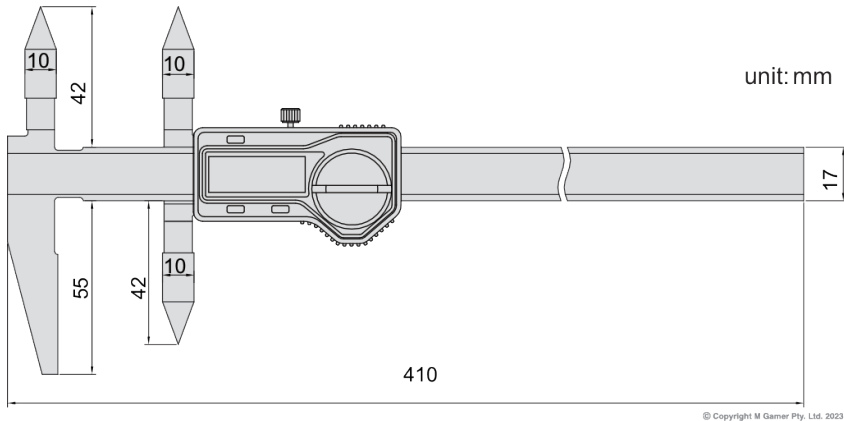


Series 148



Features

- Measure hole center distance or edge to hole center distance
- Resolution: 0.01mm/0.0005"
- Buttons: on/off, zero, mm/inch
- Data output (cable code: 100-11 or 100-12)
- Automatic power on/off
- Made of stainless steel



Specifications

Part No	Accuracy	c	Upper Jaw Range	Lower Jaw Range
AC-148-012-11	±0.08mm	17	10-300mm/0.4-12"	5-300mm/0.2-12"