

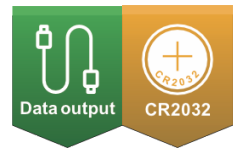
ACCUD

ACCURATE MEASUREMENT

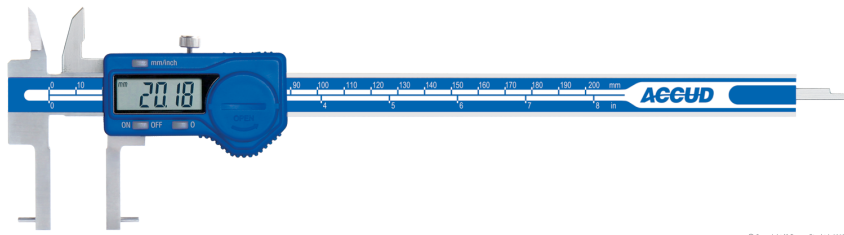


See full product range at: accud.nz

Digital Caliper with Interchangeable Points

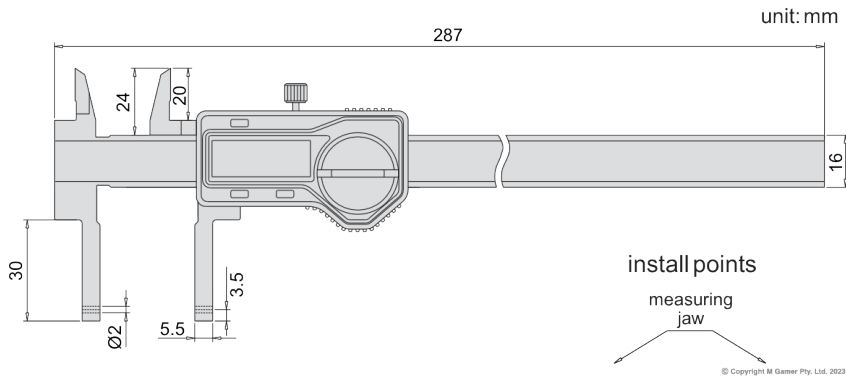


Series 149



Features

- Supplied with 3 pairs of points and one zero setting block for external measurement
- Resolution: 0.01mm/0.0005"
- Buttons: on/off, zero, mm/inch
- Automatic power on/off
- Data output (cable code: 100-11 or 100-12)
- Made of stainless steel



Specifications

Part No	Specification
AC-149-008-11	<p>Point: short spherical points Range: 12-212mm/0.5-8.5" (internal) Accuracy: $\pm 0.03\text{mm}$ Application: for grooves/inside small hole</p> <p>Point: long spherical/flat points Range: 24-224mm/1-8.8" (internal), 0-187mm/0-7.5" (external) Accuracy: $\pm 0.03\text{mm}$ Application: spherical points for grooves/inside hole, flat points for external grooves</p> <p>Point: spherical blade points Range: 24-224mm/1-8.8" (internal), 0-187mm/0-7.5" (external) Accuracy: $\pm 0.03\text{mm}$ Application: for narrow grooves/inside hole</p>