

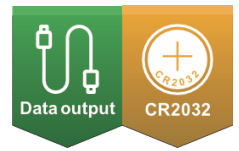
ACCUD

ACCURATE MEASUREMENT



See full product range at: accud.nz

Digital Caliper with Interchangeable Points

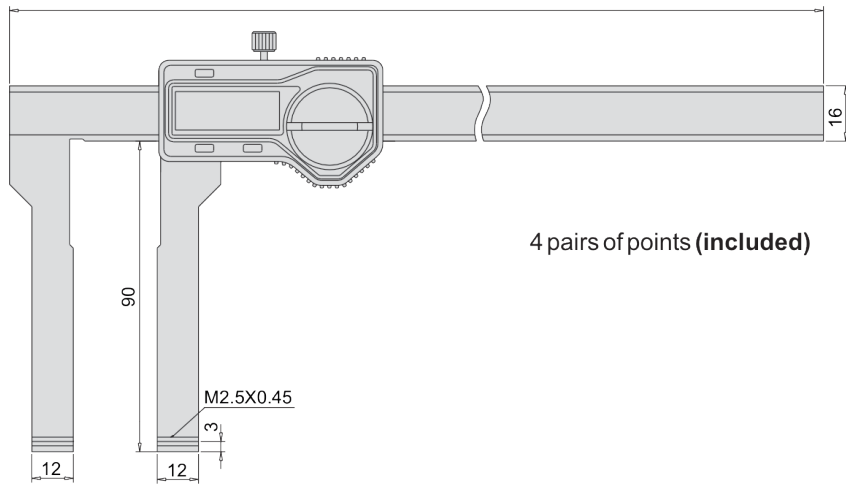


Series 149



Features

- Supplied with 4 pairs of points (Cylindrical needle point: 270-006-16 2pc, Cylindrical needle point: 270-006-04 2pc, Conical needle point: 270-006-21 2pc, Conical needle point: 270-006-23 2pc)
- Zero setting block for external measurement
- Resolution: 0.01mm/0.0005"
- Buttons: on/off, mm/inch, ZERO
- Automatic power on/off
- Data output (cable code: 100-11 or 100-12)
- Made of stainless steel



Specifications

Part No	Range	Accuracy	h	L
AC-149-012-21	0-300mm/0-12"	±0.04mm	90	407