

ACCUD

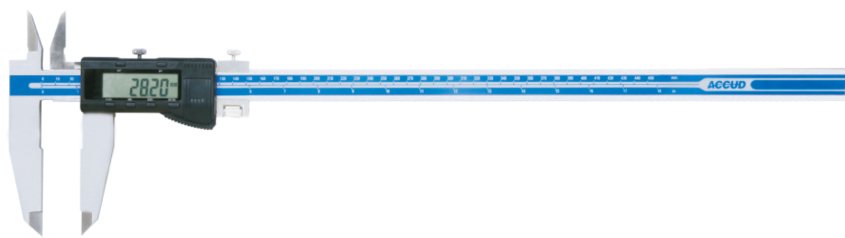
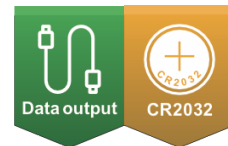
ACCURATE MEASUREMENT



See full product range at: accud.nz

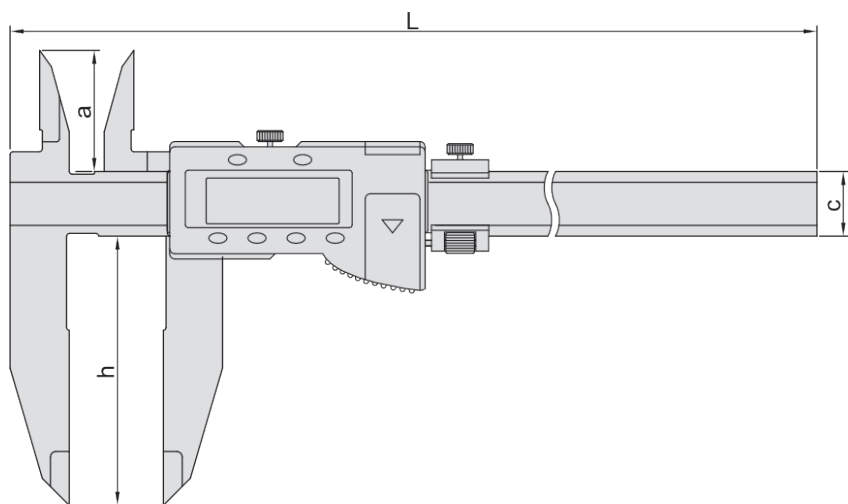
Digital Caliper

Series 150



Features

Resolution: 0.01mm/0.0005"
Button function: on/off, zero, mm/inch, ABS, data preset
Data output(cable code:100-15)
Made of stainless steel



Specifications

Part No	Range	Accuracy	a	c	h	L
AC-150-018-11	0-450mm/0-18"	±0.05mm	45	24	100	610
AC-150-024-11	0-600mm/0-24"	±0.05mm	45	24	100	770
AC-150-040-11	0-1000mm/0-40"	±0.08mm	60	31	150	1220