

ACCUD

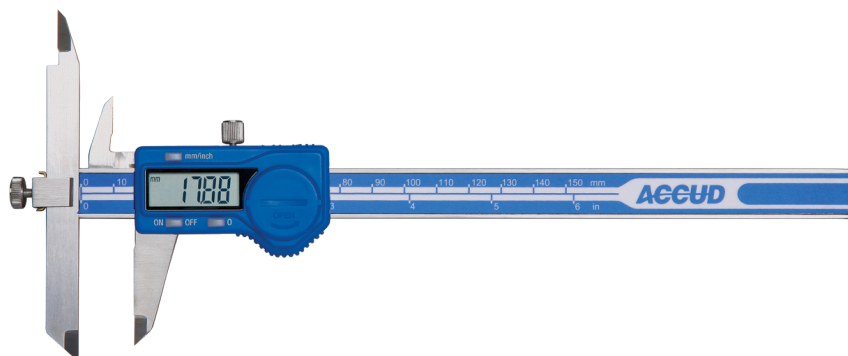
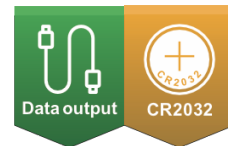
ACCURATE MEASUREMENT



See full product range at: accud.nz

Digital Offset Caliper

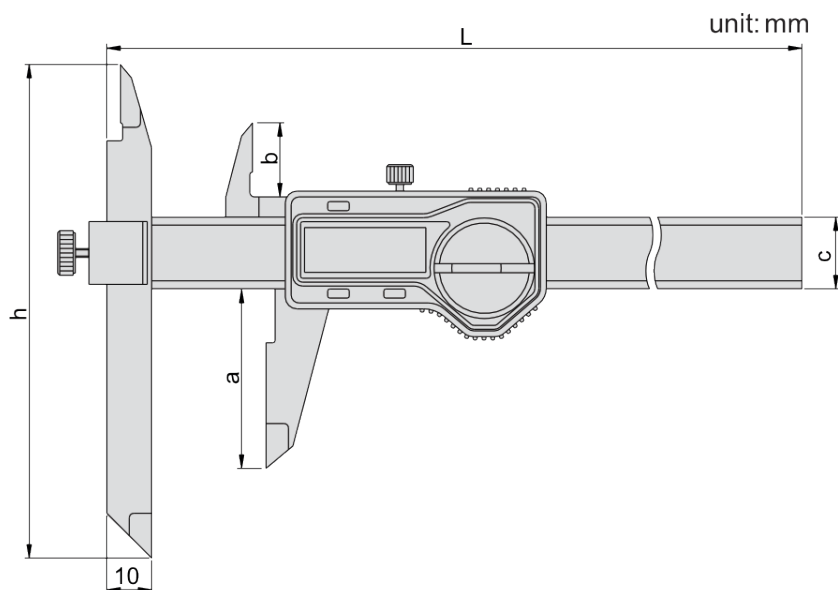
Series 152



Features

- Adjust the beam-mounted jaw to facilitate measurement of stepped sections and hard-to reach workpiece
- Resolution: 0.01mm/0.0005"
- Automatic power on/off
- Buttons: on/off, zero, mm/inch
- Data output(cable code: 100-11 or 100-12)
- Made of stainless steel

© Copyright M Gamer Pty. Ltd. 2023



© Copyright M Gamer Pty. Ltd. 2023

Specifications

Part No	Range	Accuracy	a	b	c	h	L
AC-152-006-11	0-150mm/0-6"	±0.04mm	40	16.5	16	110	239
AC-152-008-11	0-200mm/0-8"	±0.04mm	50	19.5	16	120	289
AC-152-012-11	0-300mm/0-12"	±0.05mm	60	20.5	17	130	389