

ACCUD

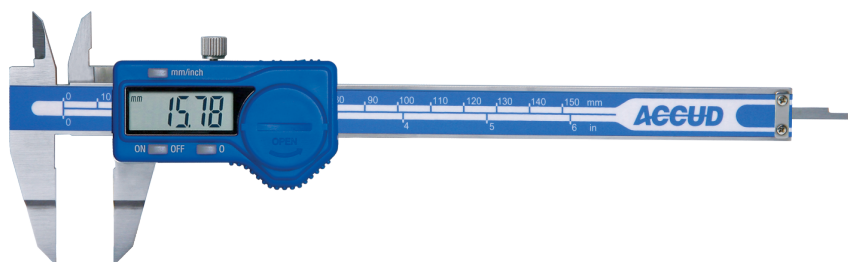
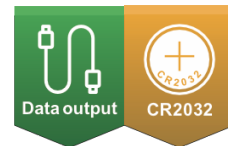
ACCURATE MEASUREMENT



See full product range at: accud.nz

Digital Blade Caliper

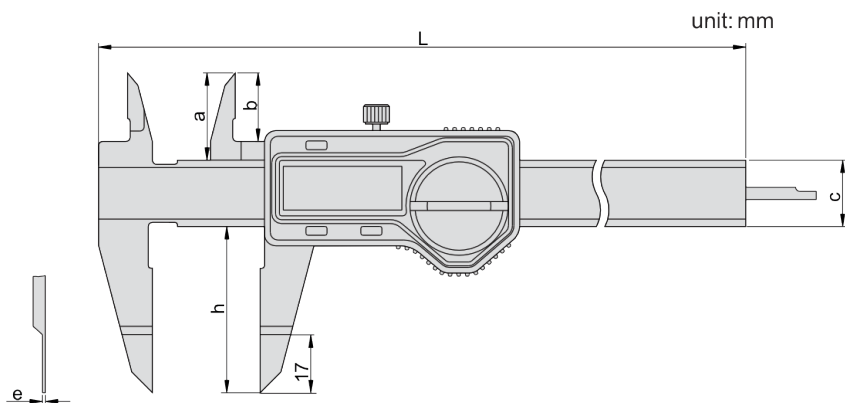
Series 153



Features

- Measure small grooves
- Resolution: 0.01mm/0.0005"
- Automatic power on/off
- Buttons: on/off, zero, mm/inch
- Data output(cable code: 100-11 or 100-12)
- Made of stainless steel

© Copyright M Gamer Pty. Ltd. 2023



© Copyright M Gamer Pty. Ltd. 2023

Specifications

Part No	Range	Accuracy	a	b	c	h	L	e
AC-153-006-11	0-150mm/0-6"	±0.03mm	21	16	16	40	235	0.75
AC-153-008-11	0-200mm/0-8"	±0.03mm	24	19	16	50	297	0.75
AC-153-012-11	0-300mm/0-12"	±0.04mm	26	20.5	16	60	390	1