

# ACCUD

## ACCURATE MEASUREMENT

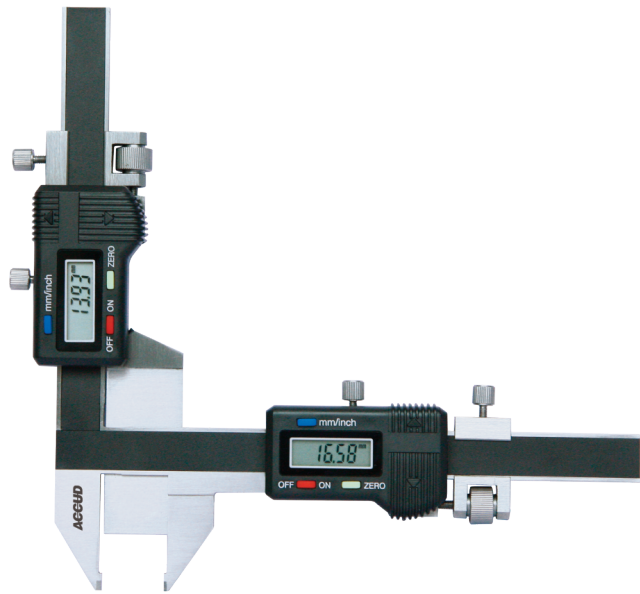


See full product range at: [accud.nz](http://accud.nz)

# Digital Gear Tooth Caliper

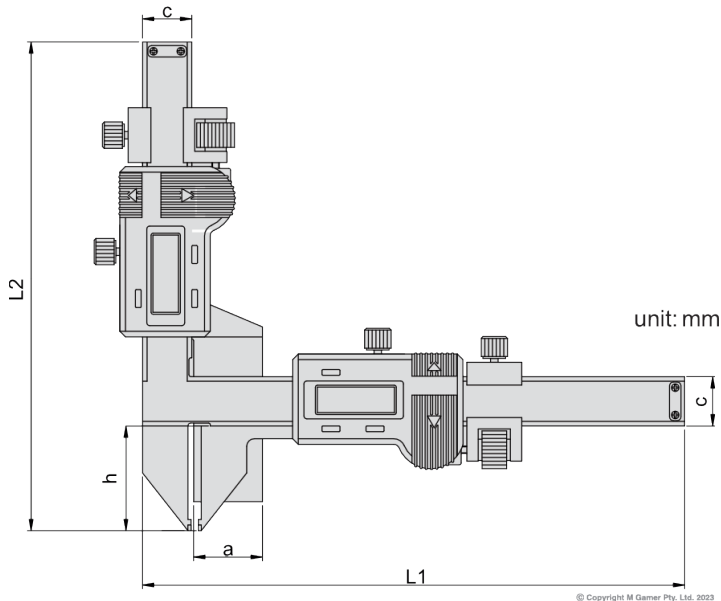


Series 156



## Features

Resolution: 0.01mm/0.0005"  
Buttons: on/off, zero, mm/inch  
Made of stainless steel



## Specifications

Part No	Range	Accuracy	a	c	h	L1	L2
AC-156-001-11	M1-25mm	±0.04mm	12.5	13	32	156	156
AC-156-002-11	M5-50mm	±0.04mm	50.5	16	55	220	190