

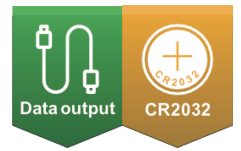
ACCUD

ACCURATE MEASUREMENT



See full product range at: accud.nz

Digital Disk Brake Caliper

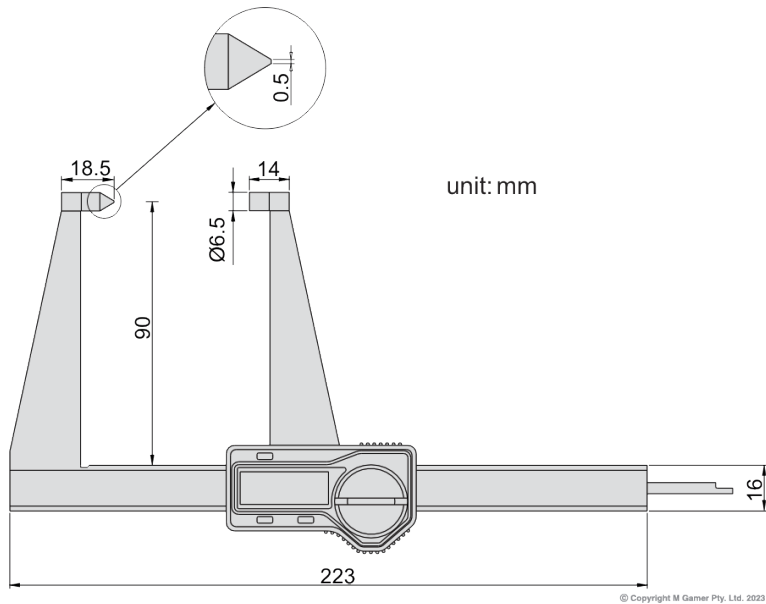


Series 157



Features

- Measure thickness of disk breaks
- Resolution: 0.01mm/0.0005"
- Buttons: on/off, zero, mm/inch
- Automatic power on/off
- Data output(cable code: 100-11 or 100-12)
- Made of stainless steel



Specifications

Part No	Range	Accuracy	c	L
AC-157-005-11	0-125mm/0-5"	±0.05mm	16	223