

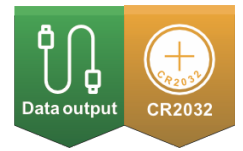
ACCUD

ACCURATE MEASUREMENT



See full product range at: accud.nz

Digital Inside Groove Caliper



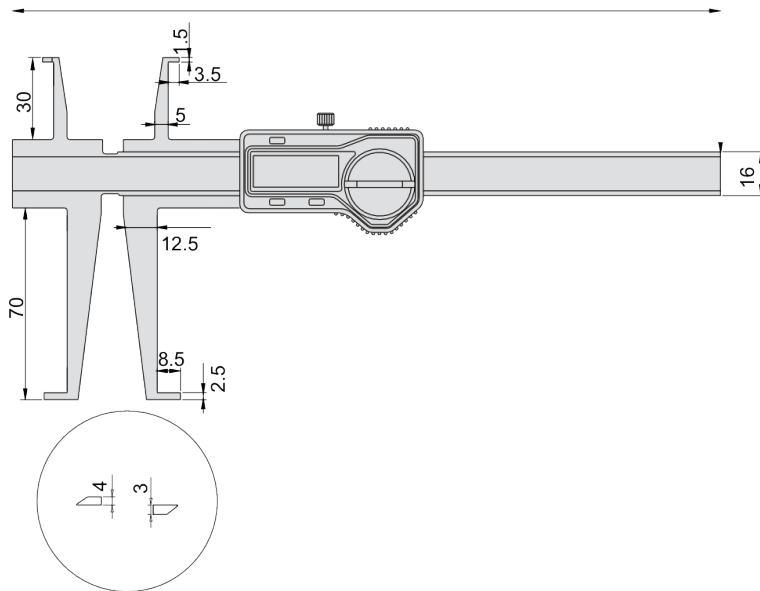
Series 159



Features

- Measure diameter of grooves inside bores
- Resolution: 0.01mm/0.0005"
- Buttons: on/off, zero, mm/inch
- Automatic power on/off
- Data output (cable code: 100-11 or 100-12)
- Made of stainless steel

© Copyright M Gamer Pty. Ltd. 2023



© Copyright M Gamer Pty. Ltd. 2023

Specifications

Part No	Accuracy	a	c	h	L	d	Upper Jaw Range	Lower Jaw Range
AC-159-006-11	±0.04mm	30	16	70	260	2.5	9-150mm	15-150mm
AC-159-008-11	±0.06mm	30	16	70	310	2.5	9-200mm	15-200mm