

# ACCUD

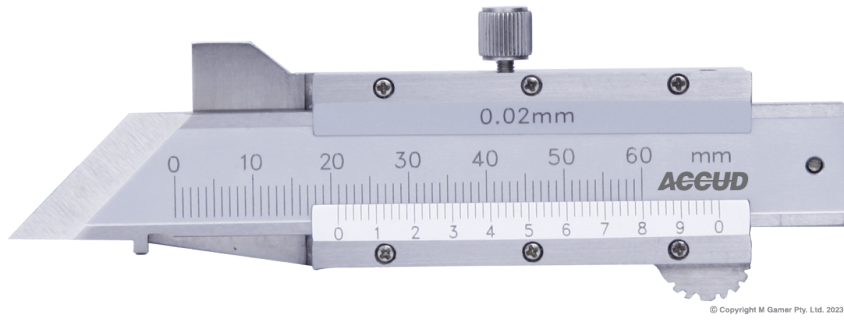
## ACCURATE MEASUREMENT



See full product range at: [accud.nz](http://accud.nz)

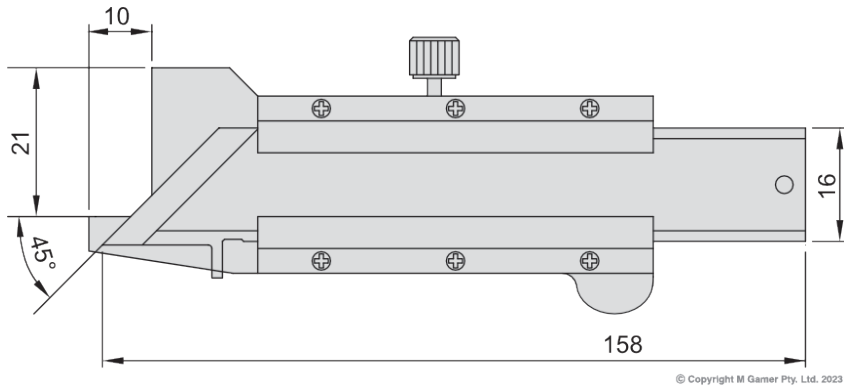
# Chamfer Gauge

Series 160



## Features

- Measure 45° chamfer dimension
- Graduation 0.02mm
- Made of stainless steel
- Satin chrome plated reading surface



## Specifications

Part No	Range	Accuracy	Chamfer
AC-160-001-11	0-6mm	±0.06mm	45°