

# ACCUD

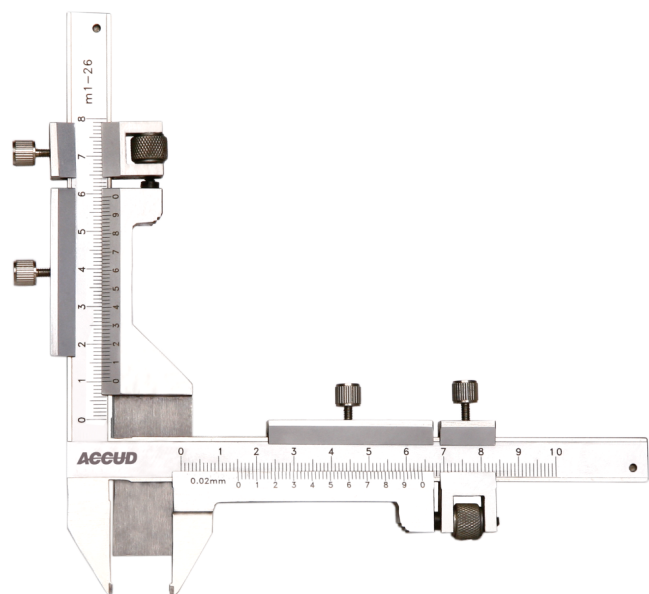
## ACCURATE MEASUREMENT



See full product range at: [accud.nz](http://accud.nz)

# Gear Tooth Vernier Caliper

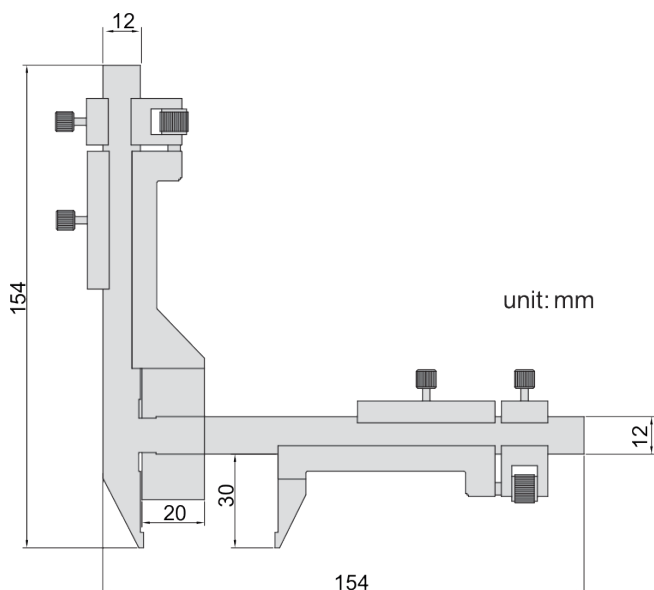
Series 166



© Copyright M Gamer Pty. Ltd. 2023

## Features

Graduation: 0.02mm  
Made of stainless steel



© Copyright M Gamer Pty. Ltd. 2023

## Specifications

Part No	Range	Accuracy	c	L1	L2
AC-166-001-11	MI-26mm	±0.04mm	12	154	154