

ACCUD

ACCURATE MEASUREMENT

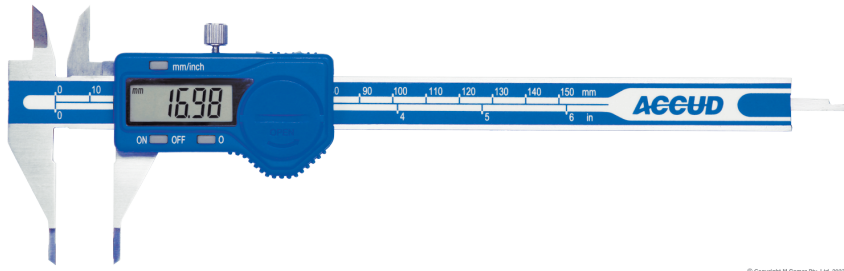


See full product range at: accud.nz

Digital Small Point Caliper

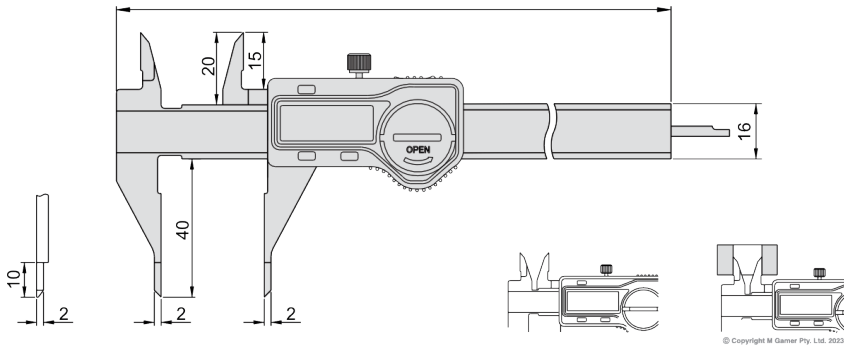


Series 168



Features

- Small point jaws fits into small grooves and recesses
- Resolution: 0.01mm/0.0005"
- Buttons: on/off, zero, mm/inch
- Automatic power on/off
- Data output(cable code:100-11 or 100-12)
- Made of stainless steel



Specifications

Part No	Range	Accuracy
AC-168-006-11	0-150mm/0-6"	±0.03mm