

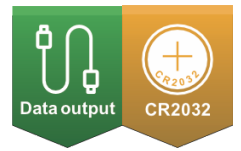
ACCUD

ACCURATE MEASUREMENT



See full product range at: accud.nz

Digital Arc Radius Caliper



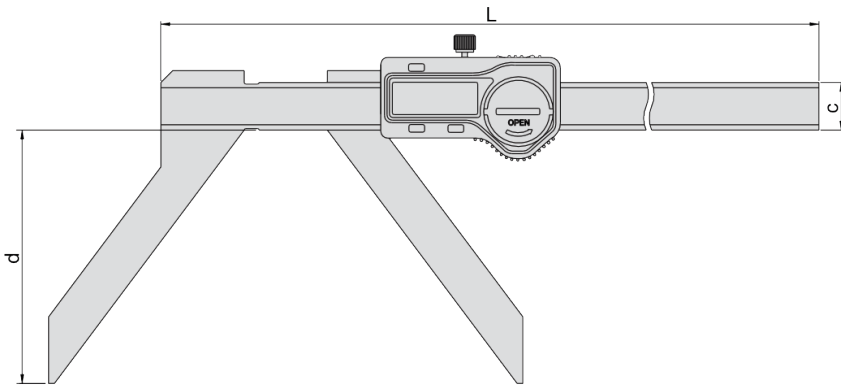
Series 169



© Copyright M Gamer Pty. Ltd. 2023

Features

Measure the radius of arc less than half round
Resolution: 0.01mm/0.0005"
Buttons: on/off, zero, mm/inch
Automatic power on/off
Data output (cable code: 100-11 or 100-12)
Made of stainless steel



© Copyright M Gamer Pty. Ltd. 2023

Specifications

Part No	Range	Accuracy	c	L	d
AC-169-006-11	5-150mm/0.2-6"	±0.05mm	16	263	65
AC-169-008-11	5-200mm/0.2-8"	±0.07mm	16	313	85