

# ACCUD

## ACCURATE MEASUREMENT

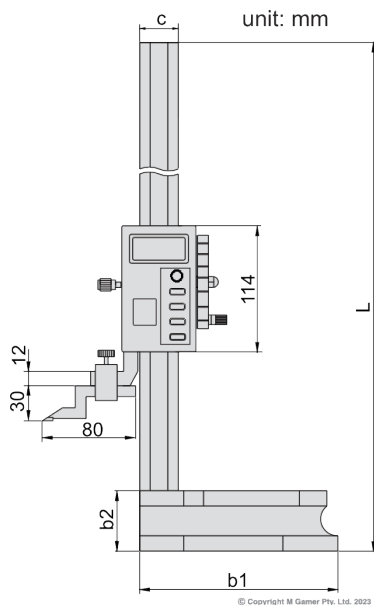


See full product range at: [accud.nz](http://accud.nz)

# Digital Height Gauge with Driving Wheel



Series 184



## Features

- Resolution: 0.01mm/0.0005"
- Buttons: on/off, zero, mm/inch, ABS/INC, hold
- Automatic power off, move the digital unit to turn on power
- Carbide tipped scriber
- Made of stainless steel
- Data output(cable code:500-03)
- Optional accessories: dial test indicator holder (267-050-01)

## Specifications

Part No	Range	Accuracy	b1	b2	c	L
AC-184-012-11	0-300mm/0-12"	±0.03mm	180	55	32	515
AC-184-024-11	0-600mm/0-24"	±0.05mm	180	55	32	815