

ACCUD

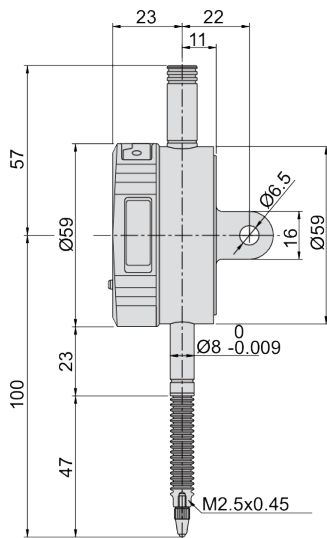
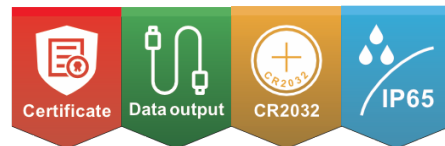
ACCURATE MEASUREMENT



See full product range at: accud.nz

Waterproof Digital Indicator

Series 213



Range: 0-12.7mm

Features

- Dust/waterproof
- Button: on/off, zero, inch/mm conversion, measuring direction set, data preset absolute/incremental measurement
- Automatic power off
- Data output (cable code: 200-01 or 200-02)
- Supplied with lug and flat back

Specifications

Part No	Range	Accuracy	Hysteresis	Ingress Level	Resolution
AC-213-010-01	12.7mm/0.5"	5µm	2µm	IP65	0.001mm/0.00005"
AC-213-010-11	12.7mm/0.5"	20µm	10µm	IP65	0.01mm/0.0005"
AC-213-025-01	25.4mm/1"	5µm	3µm	IP54	0.001mm/0.00005"
AC-213-025-11	25.4mm/1"	20µm	10µm	IP54	0.01mm/0.0005"
AC-213-050-01	50.8mm/2"	6µm	3µm	IP54	0.001mm/0.00005"
AC-213-050-11	50.8mm/2"	30µm	10µm	IP54	0.01mm/0.0005"