

# ACCUD

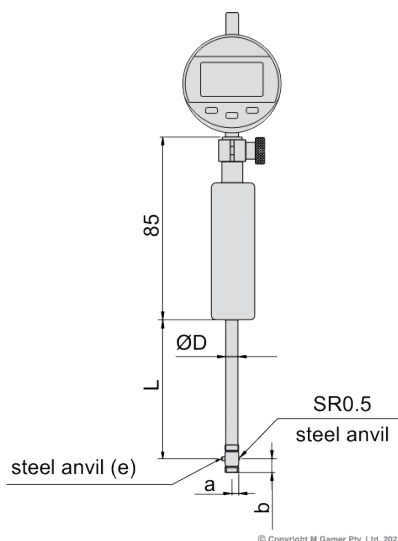
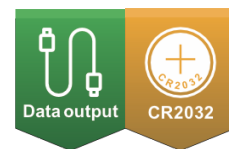
## ACCURATE MEASUREMENT



See full product range at: [accud.nz](http://accud.nz)

# Digital Bore Gauge

Series 241



## Features

Wooden handle isolate heat conduction  
 With min. value tracking function, get the diameter automatically  
 Optional accessory: series 531 setting rings

## Specifications

Part No	Range	Indicator	Tips	Gasket	Accuracy	Repeatability	a	b	c	Diameter1	Diameter2	e	L
AC-241-010-11	6-10mm	Digital Indicator Range:12.7mm Resolution: 0.002mm	9pcs	2pcs	±0.012mm	3µm	3.6	5.7	-	-	4.5	SR1	48
AC-241-018-11	10-18mm	Digital Indicator Range:12.7mm Resolution: 0.002mm	9pcs	2pcs	±0.012mm	3µm	5.6	7.8	-	-	6	SR1	105
AC-241-035-11	18-35mm	Digital Indicator Range:12.7mm Resolution: 0.002mm	9pcs	2pcs	±0.015mm	3µm	12.2	6.4	-	12.7	9	SR1	141
AC-241-060-11	35-60mm	Digital Indicator Range:12.7mm Resolution: 0.002mm	6pcs	4pcs	±0.018mm	3µm	12.2	9	27	13	12.8	SR2	141
AC-241-100-11	50-100mm	Digital Indicator Range:12.7mm Resolution: 0.002mm	11pcs	4pcs	±0.018mm	3µm	26	9	35	13	12.8	SR2	141
AC-241-160-11	50-160mm	Digital Indicator Range:12.7mm Resolution: 0.002mm	12pcs	4pcs	±0.018mm	3µm	26	9	35	13	12.8	SR2	141
AC-241-160-12	100-160mm	Digital Indicator Range:12.7mm Resolution: 0.002mm	12pcs	4pcs	±0.018mm	3µm	26	9	35	13	12.8	SR2	141

Part No	Range	Indicator	Tips	Gasket	Accuracy	Repeatability	a	b	c	Diameter1	Diameter2	e	L
AC-241-250-11	160-250mm	Digital Indicator Range:12.7mm Resolution: 0.002mm	5pcs	5pcs	±0.018mm	3µm	56.5	13	74.5	15	14.5	SR3.5	400
AC-241-450-11	250-450mm	Digital Indicator Range:12.7mm Resolution: 0.002mm	5pcs	5pcs	±0.018mm	3µm	86.5	15	101.5	15	14.5	SR3.5	400