

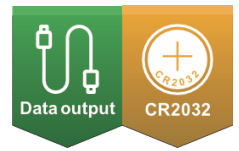
ACCUD

ACCURATE MEASUREMENT

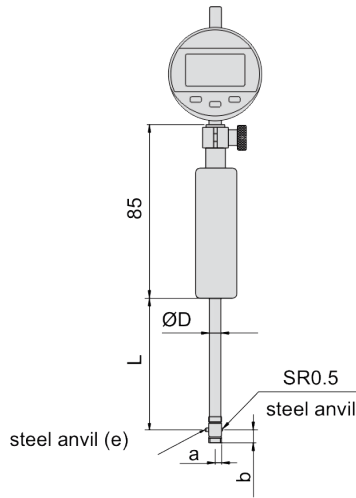


See full product range at: accud.nz

Digital Precision Bore Gauge



Series 241



Features

Wooden handle isolate heat conduction
 With min. value tracking function, get the diameter automatically
 Optional accessory: series 531 setting rings

Range: 6-10mm

© Copyright M Gamer Pty. Ltd. 2023

Specifications

Part No	Range	Indicator	Tips	Gasket	Accuracy	Repeatability	a	b	c	Diameter1	Diameter2	e	L
AC-241-010-01	6-10mm	Digital Indicator Range:12.7mm Resolution: 0.001mm	9pcs	2pcs	±0.005mm	2µm	3.6	5.7	-	-	4.5	SR1	48
AC-241-018-01	10-18mm	Digital Indicator Range:12.7mm Resolution: 0.001mm	9pcs	2pcs	±0.005mm	2µm	5.6	7.8	-	-	6	SR1	105
AC-241-035-01	18-35mm	Digital Indicator Range:12.7mm Resolution: 0.001mm	9pcs	2pcs	±0.006mm	2µm	12.2	6.4	-	12.7	9	SR1	141
AC-241-060-01	35-60mm	Digital Indicator Range:12.7mm Resolution: 0.001mm	6pcs	4pcs	±0.007mm	2µm	26	9	27	13	12.8	SR2	141
AC-241-160-01	50-160mm	Digital Indicator Range:12.7mm Resolution: 0.001mm	12pcs	4pcs	±0.007mm	2µm	26	9	35	13	12.8	SR2	141
AC-241-160-02	100-160mm	Digital Indicator Range:12.7mm Resolution: 0.001mm	12pcs	4pcs	±0.007mm	2µm	26	9	35	13	12.8	SR2	141

Part No	Range	Indicator	Tips	Gasket	Accuracy	Repeatability	a	b	c	Diameter1	Diameter2	e	L
AC-241-250-01	160-250mm	Digital Indicator Range:12.7mm Resolution: 0.001mm	5pcs	5pcs	±0.007mm	2µm	56.5	13	74.5	15	14.5	SR3.5	400
AC-241-450-01	250-450mm	Digital Indicator Range:12.7mm Resolution: 0.001mm	5pcs	5pcs	±0.007mm	2µm	86.5	15	101.5	15	14.5	SR3.5	400