

ACCUD

ACCURATE MEASUREMENT



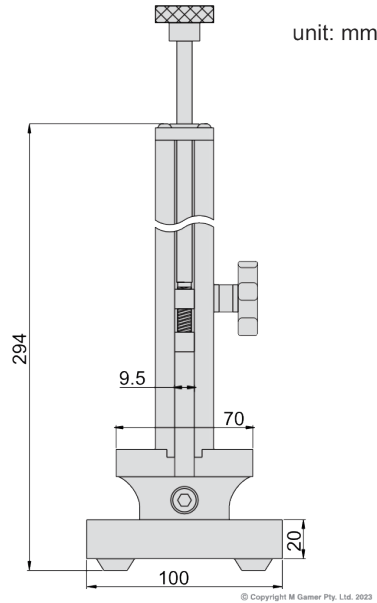
See full product range at: accud.nz

Bore Gauge Setter

Series 256



© Copyright M Gamer Pty. Ltd. 2023



© Copyright M Gamer Pty. Ltd. 2023

Features

- Can be used in vertical and horizontal
- To be used with gauge blocks

Specifications

Part No	Range	Repeatability	Gauge Block Sets
AC-256-160-10	0-160mm	1.2 μ m	Without
AC-256-160-11	0-160mm	1.2 μ m	With