

# ACCUD

## ACCURATE MEASUREMENT



See full product range at: [accud.nz](http://accud.nz)

# Dial Test Indicator Centering Holder

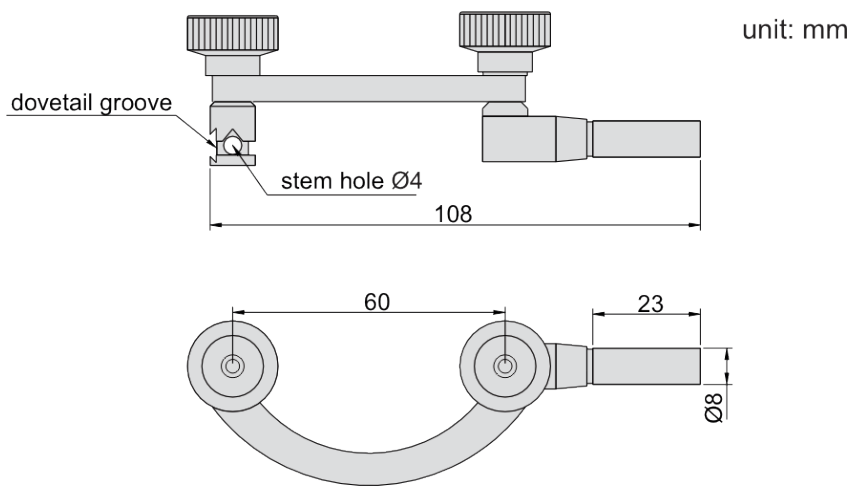
Series 269



© Copyright M Gamer Pty. Ltd. 2023

## Features

Center cylinders or holes on a machine tool



## Specifications

Part No

AC-269-060-01