

# ACCUD

## ACCURATE MEASUREMENT



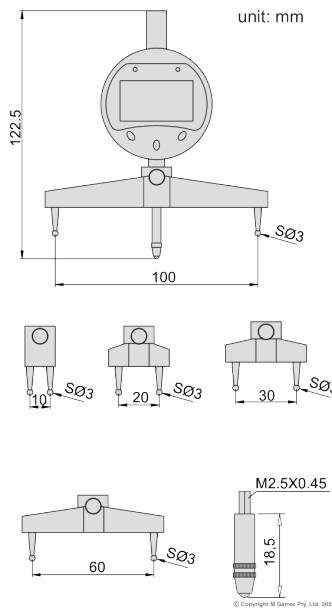
See full product range at: [accud.nz](http://accud.nz)

# Digital Radius Gauge

Series 296



© Copyright M Gamer Pty. Ltd. 2023



© Copyright M Gamer Pty. Ltd. 2023

## Features

Measure radius of internal and external arcs  
Accuracy:  $\pm 0.01R$ , R is the radius to be measured in mm

Data output (cable code: 200-01 or 200-02)  
Supplied with 5 jaws for different sizes of arc

## Specifications

Part No	Range	Resolution
AC-296-700-11	5-700mm/0.2-27.5"	0.01mm/0.001"