

ACCUD

ACCURATE MEASUREMENT



See full product range at: accud.nz

Outside Micrometer

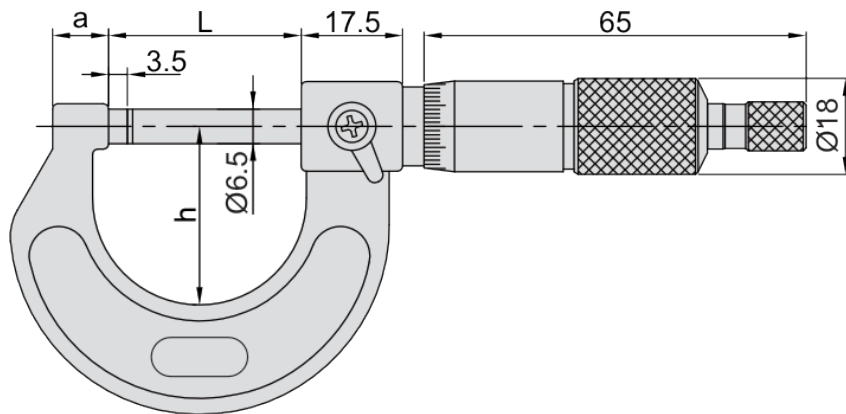
Series 321



Features

- Graduation: 0.01mm
- Carbide measuring faces
- Ratchet stop
- Setting standards are included (except 321-001-01H)

© Copyright M Gamer Pty. Ltd. 2023



© Copyright M Gamer Pty. Ltd. 2023

Specifications

Part No	Range	Accuracy	a	h	L	Setting Standards
AC-321-001-01H	0-25mm	4μm	9	29	32	-
AC-321-002-01H	25-50mm	4μm	9	39	58	25mm
AC-321-003-01H	50-75mm	5μm	10	53	83	50mm
AC-321-004-01H	75-100mm	5μm	10	65	109	75mm
AC-321-005-01H	100-125mm	6μm	11.5	76	133	100mm
AC-321-006-01H	125-150mm	6μm	11.5	88	159	125mm
AC-321-007-01H	150-175mm	7μm	11.5	101	185	150mm
AC-321-008-01H	175-200mm	7μm	11.5	114	210	175mm
AC-321-009-01H	200-225mm	8μm	11.5	126	235	200mm
AC-321-010-01H	225-250mm	8μm	12	139	260	225mm
AC-321-011-01H	250-275mm	9μm	12.5	151	286	250mm
AC-321-012-01H	275-300mm	9μm	12.5	164	311	275mm