

ACCUD

ACCURATE MEASUREMENT



See full product range at: accud.nz

Sheet Meter Micrometer

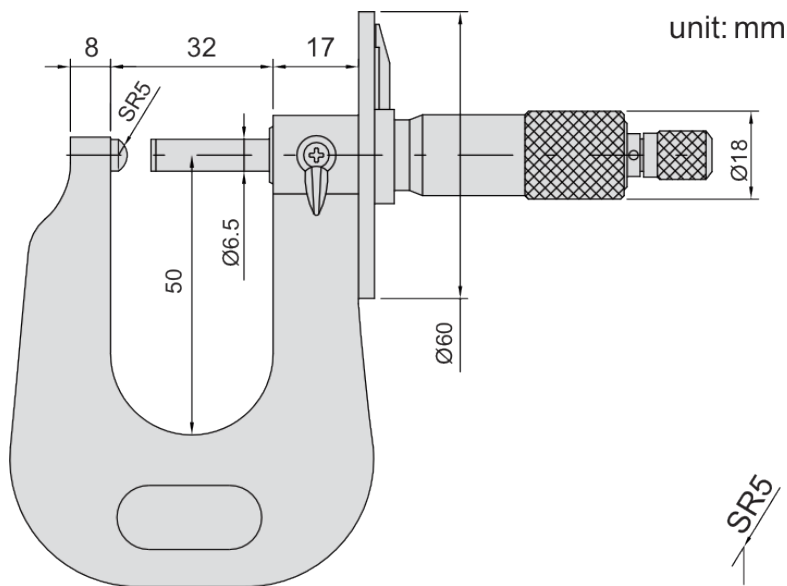
Series 347



Features

- Measure thickness of sheet metal, paper, plastic and rubber parts
- Graduation 0.01mm
- Ratchet stop
- Carbide measuring faces

© Copyright M Gamer Pty. Ltd. 2023



© Copyright M Gamer Pty. Ltd. 2023

Specifications

Part No	Range	Accuracy	h	L
AC-347-001-01	0-25mm	4μm	50	32