

ACCUD

ACCURATE MEASUREMENT



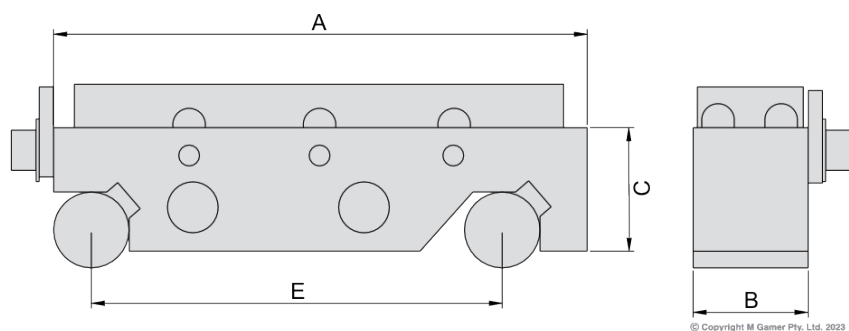
See full product range at: accud.nz

Sine Bar

Series 651



© Copyright M Gamer Pty. Ltd. 2023



© Copyright M Gamer Pty. Ltd. 2023

Specifications

Part No	Accuracy	Roller Distance	Table Size	C
AC-651-005-01	±8 "	100mm	130x25mm	25mm
AC-651-005-02	±16"	100mm	130x83mm	30mm
AC-651-010-01	±8"	200mm	250x40mm	40mm
AC-651-010-02	±16"	200mm	250x85mm	40mm