

ACCUD

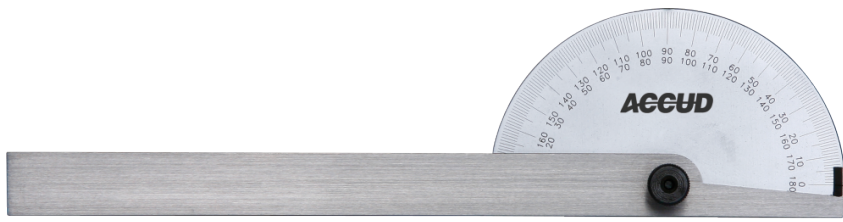
ACCURATE MEASUREMENT



See full product range at: accud.nz

Protractor

Series 811



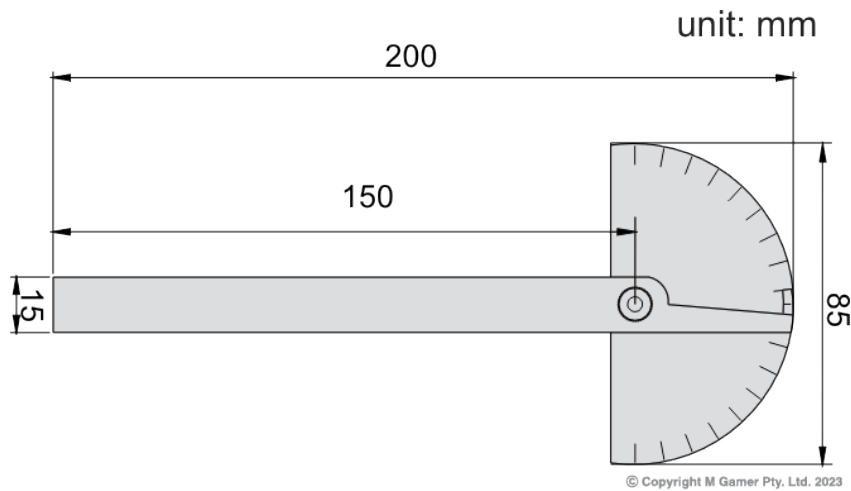
Features

Graduation:1°

Made of stainless steel

Satin chrome plated scale

With locking screw



Specifications

Part No	Range	Accuracy	Size
AC-811-180-01	0 - 180°	±0.3°	85x150mm
AC-811-180-02	0 - 180°	±0.3°	91x158mm