

ACCUD

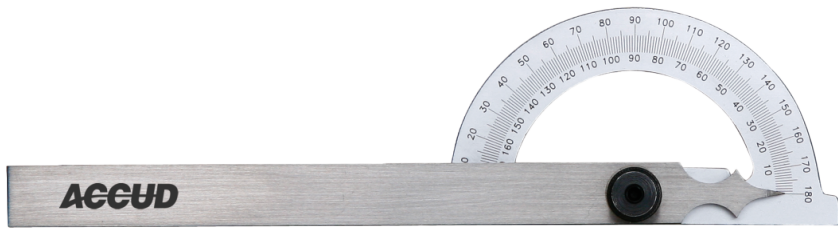
ACCURATE MEASUREMENT



See full product range at: accud.nz

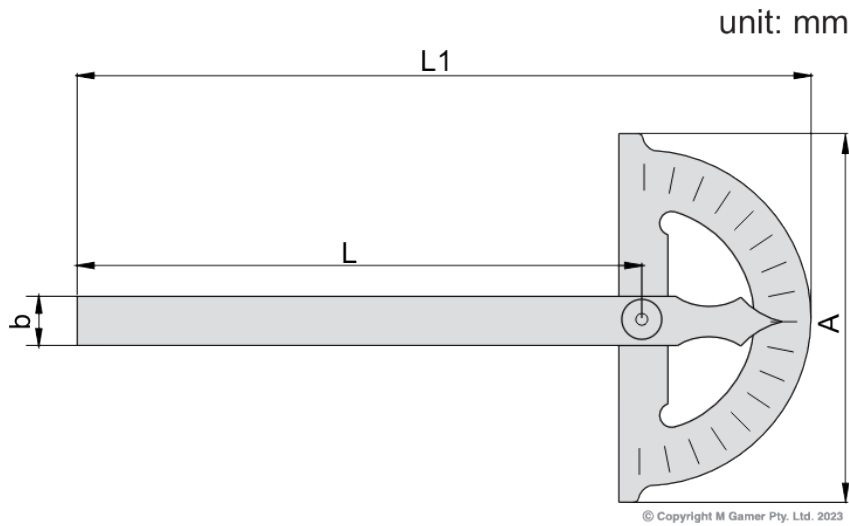
Protractor

Series 812



Features

- Graduation: 1°
- Made of stainless steel
- Satin chrome plated scale
- With locking screw



Specifications

Part No	Range	Accuracy	Size	b	L1
AC-812-003-01	0 - 180°	±0.3°	80x120mm	11	165
AC-812-005-01	0 - 180°	±0.3°	120x150mm	13	215
AC-812-006-01	0 - 180°	±0.3°	150x200mm	16	280
AC-812-008-01	0 - 180°	±0.3°	200x300mm	20	410
AC-812-012-01	0 - 180°	±0.3°	300x500mm	30	675