

# ACCUD

## ACCURATE MEASUREMENT



See full product range at: [accud.nz](http://accud.nz)

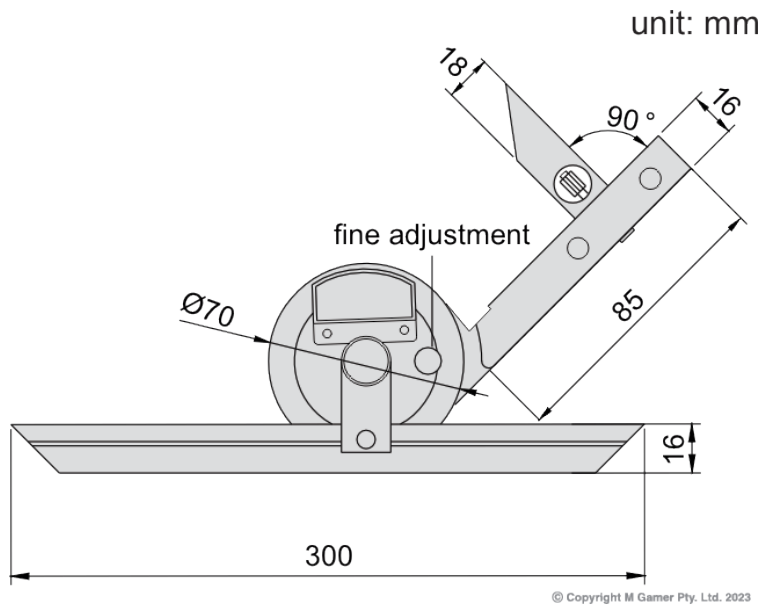
# Universal Protractor

Series 815



## Features

- Graduation: 5'
- Parallax-free reading
- With one blade: 150mm
- Made of stainless steel
- Optional accessory: clamp for height gages



## Specifications

| Part No       | Range    | Accuracy |
|---------------|----------|----------|
| AC-815-360-01 | 0 - 360° | ±5'      |