

ACCUD

ACCURATE MEASUREMENT



See full product range at: accud.nz

Universal Protractor

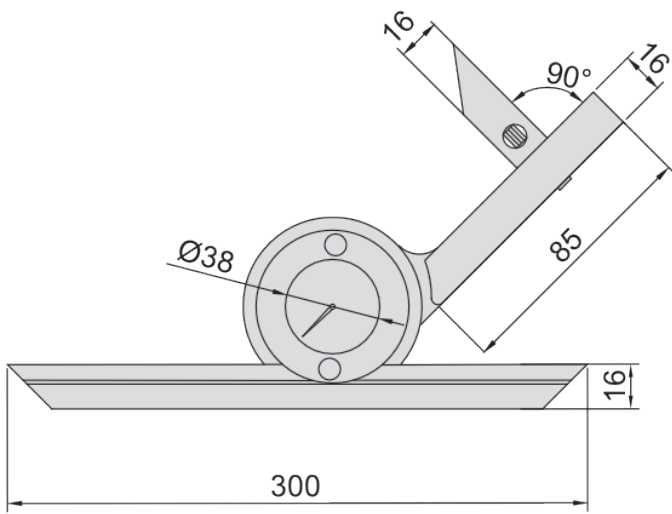
Series 816



Features

- Graduation: 5'
- With one blade: 150mm
- Made of carbon steel
- Optional accessory: clamp for height gages

unit: mm



Specifications

Part No	Range	Accuracy
AC-816-360-01	0 - 360°	±5"