

ACCUD

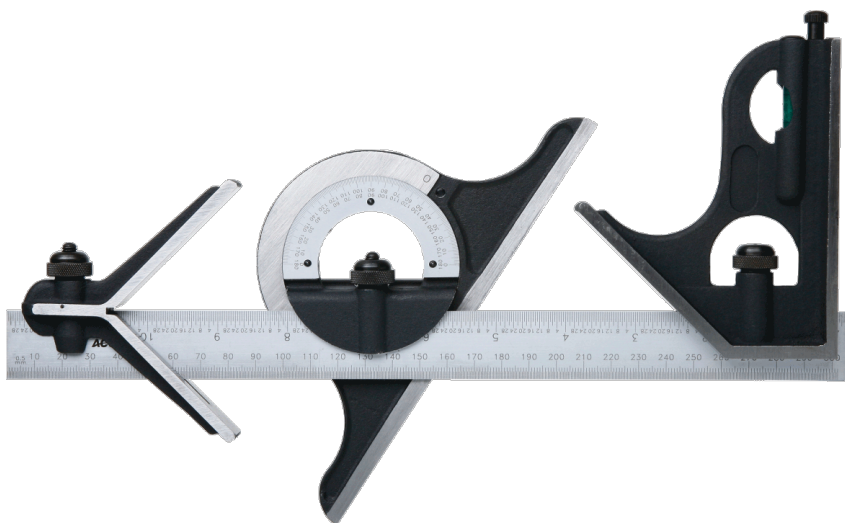
ACCURATE MEASUREMENT



See full product range at: accud.nz

Combination Square Set

Series 817



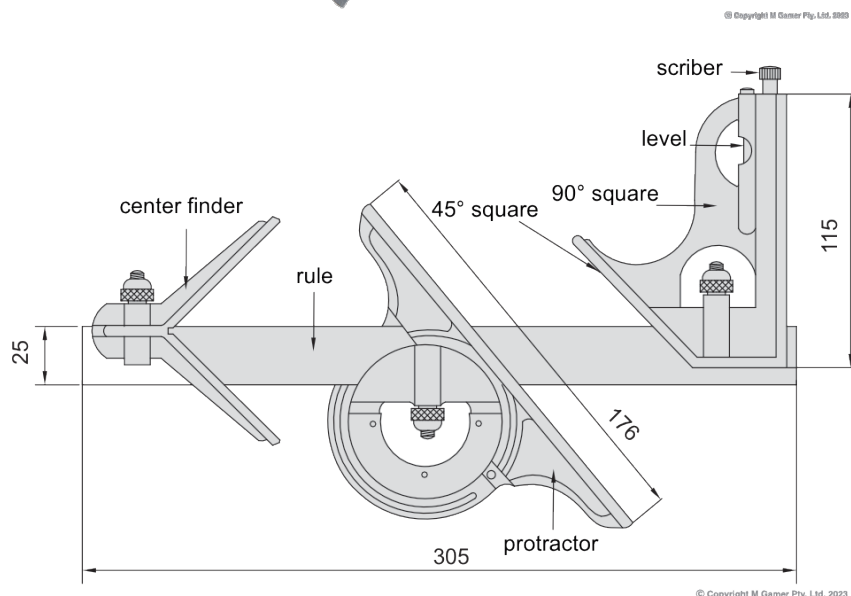
Features

Protractor: Used to set an angle or angle measurement, measuring range: 0-180°, accuracy: $\pm 7'$

Square: Used as 90° square or 45° square accuracy of 90° square: $\pm 8'$, accuracy of 45° square: $\pm 10'$

Rule: Used as rule, measuring range: 300mm/12" front side graduation: 0.5mm and 1/32" reverse side graduation: 1mm and 1/64"

Center finder: Used to find the cylinder center, accuracy: ± 0.15 mm



Specifications

Part No

AC-817-180-02