

ACCUD

ACCURATE MEASUREMENT



See full product range at: accud.nz

Digital Protractor

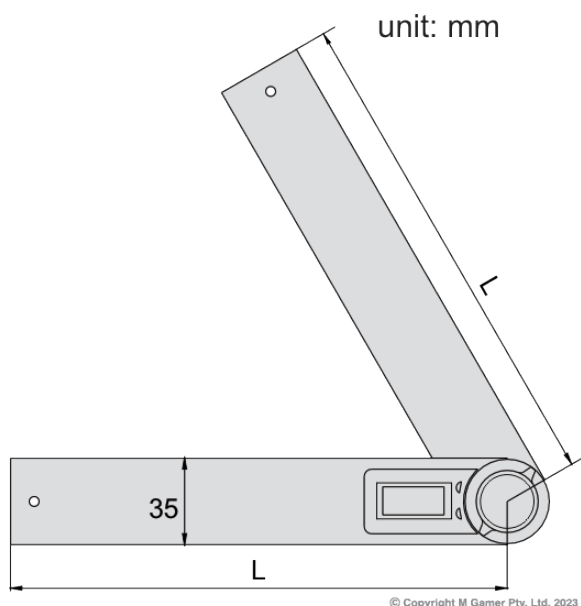
Series 821N



© Copyright M Gamer Pty. Ltd. 2023

Features

- Resolution: 0.1°
- Buttons: on/off, zero
- With locking attachment
- Rule graduation: 1mm and 1/32"
- Automatic power off



Specifications

Part No	Range	Accuracy	Size
AC-821-008-01N	0 - 360°	±0.3°	200mm
AC-821-012-01N	0 - 360°	±0.3°	300mm