

ACCUD

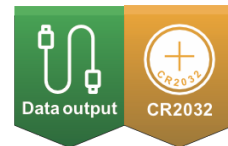
ACCURATE MEASUREMENT



See full product range at: accud.nz

Digital Protractor

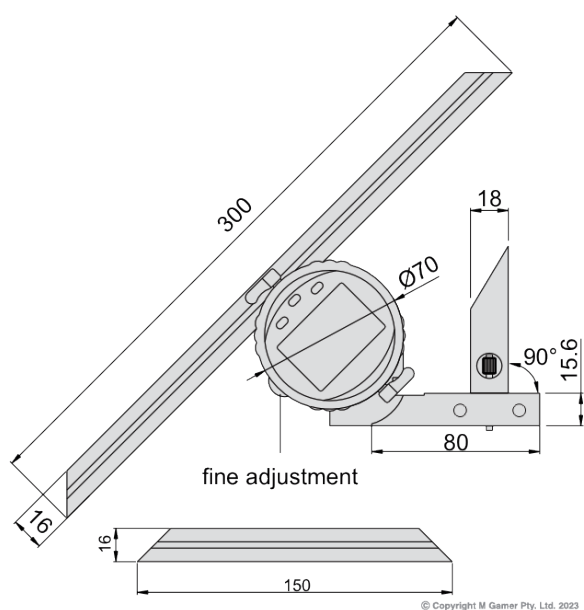
Series 822



Features

Button function:
SET: preset the reading and change the measuring direction
MODE: choose range 90°, 180°, 360°
ZERO/ON/OFF: set zero and power on/off
Data output
With a 150mm blade and a 90° square
Made of stainless steel

© Copyright M Gamer Pty. Ltd. 2023



© Copyright M Gamer Pty. Ltd. 2023

Specifications

Part No	Range	Accuracy	Resolution
AC-822-360-01	0 - 360°	±5'	10"/0.005°