

ACCUD

ACCURATE MEASUREMENT



See full product range at: accud.nz

Digital Protractor

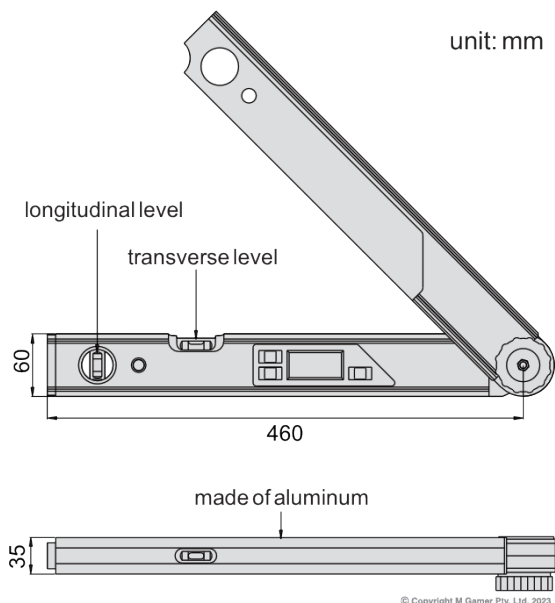
Series 823



Features

- Suitable for setting horizontal and vertical mitre angles of cutting machines
- Buttons: on/off, HOLD/SUP, SPR/CNR/MTR/BVL
- IP54 dust/waterproof
- With transverse and longitudinal level
- Absolute level, zero setting is not needed when batteries are replaced
- Backlight turns off in one minute after reading is stable, automatic power off in 5 minutes

© Copyright M Gamer Pty. Ltd. 2023



Specifications

Part No	Range	Accuracy	Resolution
AC-823-225-01	0 - 225°	±0.10°	0.05°