

# ACCUD

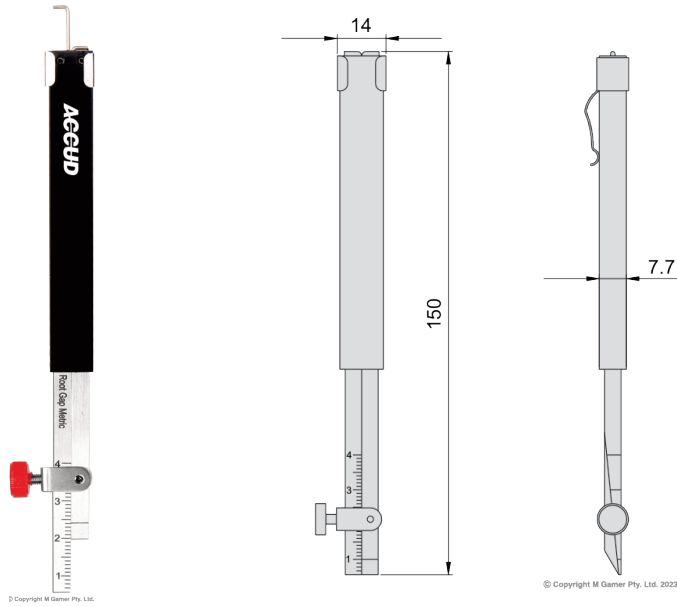
## ACCURATE MEASUREMENT



See full product range at: [accud.nz](http://accud.nz)

# Pipe Welding Gauge

Series 960



## Features

Made of the stainless steel

## Specifications

Part No	Range	Graduation	Accuracy	Application
AC-960-030-01	0-30mm, 0-7.4mm	1mm, 0.1mm	±0.5mm, ±0.1mm	internal misalignment, fit-up gap