

ACCUD

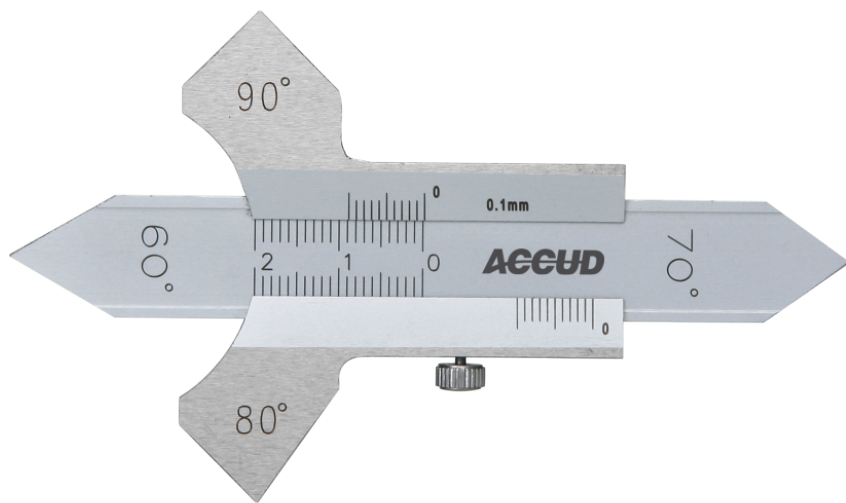
ACCURATE MEASUREMENT



See full product range at: accud.nz

Welding Gauge

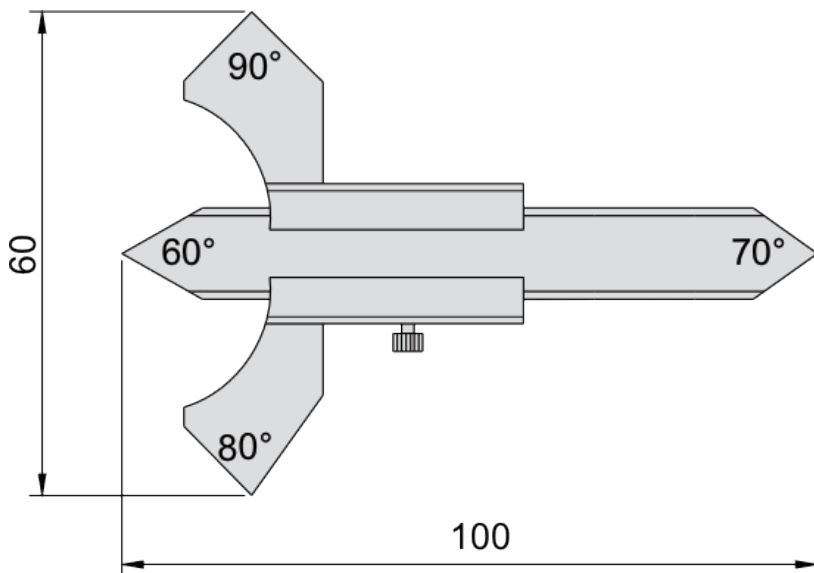
Series 971



© Copyright M Gamer Pty. Ltd. 2023

Features

Made of stainless steel
Stain chrome plated reading surface



© Copyright M Gamer Pty. Ltd. 2023

Specifications

Part No	Range	Graduation	Accuracy	Application
AC-971-008-01	0 - 8mm, 0 - 20mm, 60°, 70°, 80°, 90°	0.1mm, 0.1mm, -	±0.1mm, ±0.3mm, ±1°	measure crown height, measure fillet weld throat size, measure angle